

SPEED UTV

VERSION 2.1



OWNER'S MANUAL

2023-24

P R E F A C E

IMPORTANT SAFETY MESSAGE

Failure to read, understand and follow the safety precautions outlined in this manual could result in serious injury or fatality.

- READ THIS MANUAL ENTIRELY BEFORE OPERATING YOUR UTV.
- MAKE SURE YOU UNDERSTAND ALL INSTRUCTIONS.
- OPERATORS SHOULD NOT BE UNDER 16 YEARS OF AGE.
- NEVER OPERATE THE UTV WITHOUT PROPER TRAINING.
- PAY CLOSE ATTENTION TO THE WARNINGS AND CAUTION LABELS ON THE UTV.

WARNING

Proposition 65 - Passenger and Off-Highway Motor Vehicles:

Operating, servicing, and maintaining a passenger vehicle or off-road vehicle can expose you to chemicals including engine exhaust, carbon monoxide, phthalates, and lead, which are known to the State of California to cause cancer and birth defects or other reproductive harm. To minimize exposure, avoid breathing exhaust, do not idle the engine except as necessary, service your vehicle in a well-ventilated area and wear gloves or wash your hands frequently when servicing your vehicle.

Source: <https://www.p65warnings.ca.gov/products/passenger-vehicle>

P R E F A C E



2024 OWNER'S MANUAL

COVERS VEHICLE MODELS:

EL JEFE

EL DIABLO

BAJA BANDIT

VERSION. 2.1

P R E F A C E

This document is subject to all copyright and intellectual property rights of Speed UTV and its licensors, all rights are reserved. Written permission from Speed UTV is strictly required prior to reproducing any portion, in any form, of this Owner's Manual.

Copyright 2024 Speed UTV. All information contained within this publication is based on the latest product information at the time of publication. Due to constant improvements in the design and quality of production components, some minor discrepancies may result between the actual vehicle and the information presented in this publication. Depictions and/or procedures in this publication are intended for reference use only. No liability can be accepted for omissions or inaccuracies. Any reprinting or reuse of the depictions and/or procedures contained within, whether whole or in part, is expressly prohibited.

Unless noted, trademarks are the property of Speed UTV.

© Speed UTV Ltd., 2024

P R E F A C E

Congratulations on your purchase and thank you for choosing to become a new member of the rapidly growing Speed UTV off-road family. Robby Gordon and the team are beyond excited to deliver a product designed with over 40 years of dedicated off-road and real-world engineering experience. This Owner's Manual will provide you with safe operation guidelines, functional vehicle instructions, preventative maintenance scheduling, and general servicing recommendations. Take the time to fully read and understand this manual as it equips you with the knowledge tools necessary to have a safe and enjoyable Speed UTV ownership experience.

For questions regarding this UTV, please contact your purchase advisor.



WARRANTY REGISTRATION

After purchase, please be sure to register the warranty on your unit by filling out the Warranty Registration Form and submitting it to your sales representative.

SAFETY SIGNS & NOTICES

FAILURE TO FOLLOW THE WARNINGS CONTAINED IN THIS OWNER'S MANUAL COULD RESULT IN SERIOUS INJURY OR FATALITY. Important information is distinguished in this manual by using the symbols and nomenclature published by the American National Standard Institute (ANSI) to indicate varying levels of safety. For your safety, learn to recognize and understand these symbols prior to reading the manual.



DANGER

Indicates a hazardous situation that, if not avoided, will result in fatality or serious injury.



WARNING

Indicates a hazardous situation that, if not avoided, could result in fatality or serious injury.



CAUTION

Indicates a hazardous situation that, if not avoided, could result in minor or moderate injury.



NOTICE

Indicates that information is considered important but not hazard related.



IMPORTANT

Indicates that notable information is provided to clarify key details of a specific operation or procedure.

IMPORTANT NOTICE

All operators must be 16 years or older and have a valid driver's license.

This UTV is designed and manufactured for **OFF-ROAD** use only. It is illegal and unsafe to operate this UTV on any public street, road, or highway.

This UTV complies with all applicable **OFF-ROAD** noise level and spark arrestor laws and regulations in effect at the time of manufacture.

Any add-on or modified part must be compliant with applicable ARB evaporative emission control standards. A violation of this requirement is punishable by civil and/or criminal punishment.

Always check your local riding laws and regulations before operating this UTV.

P R E F A C E

TABLE OF CONTENTS

BEFORE YOU RIDE - 12 -
 RESPONSIBILITY - 12 -
 VEHICLE IDENTIFICATION NUMBERS - 14 -
 LOCATION OF VEHICLE IDENTIFICATION NUMBER - 14 -
 LOCATION OF ENGINE SERIAL NUMBER - 14 -
1.0 SAFETY - 15 -
 1.1 SAFETY TRAINING - 15 -
 1.2 SAFETY GEAR - 16 -
 HELMET - 16 -
 EYE PROTECTION - 17 -
 GLOVES - 17 -
 BOOTS - 17 -
 CLOTHING - 17 -
 1.3 SAFETY LABELING - 18 -
 PROPER USE WARNING - 19 -
 RIDER'S WARNING - 19 -
 SEAT BELT WARNING - 19 -
 PAYLOAD / CARGO WARNING - 21 -
 LOAD WARNING - 21 -
 TIRE PRESSURE WARNING - 21 -
 SLOPE WARNING - 22 -
 PROHIBITION OF ALCOHOL OR DRUGS - 22 -
 1.4 SAFETY INSTRUCTIONS - 23 -
 PRE-OPERATION CHECKS - 23 -
 PASSENGER QUANTITY & LOADING - 23 -
2.0 FEATURES & CONTROLS - 24 -
 2.1 VEHICLE LAYOUT - 24 -
 2.2 COMPONENTS - 26 -
 BRAKE PEDAL - 26 -
 THROTTLE PEDAL - 26 -
 TRAILER RECEIVER HITCH - 26 -
 GEAR SELECTOR - 27 -

P R E F A C E

ALL WHEEL DRIVE (AWD).....	- 28 -
4WD - ENGAGEMENT.....	- 28 -
4WD - DISENGAGEMENT.....	- 28 -
FRONT DIFFERENTIAL LOCK - ENGAGEMENT	- 29 -
FRONT DIFFERENTIAL LOCK - DISENGAGEMENT	- 29 -
HEADLIGHT SWITCH.....	- 29 -
AUXILIARY (CIGARETTE LIGHTER) OUTLET	- 29 -
AUXILIARY (USB) OUTLET.....	- 29 -
STEERING WHEEL	- 30 -
SEATS.....	- 30 -
FUEL CAP.....	- 30 -
2.3 INSTRUMENT CLUSTER.....	- 31 -
DIGITAL DISPLAY LAYOUT	- 31 -
PUSH & TOGGLE BUTTONS	- 32 -
SPEEDOMETER.....	- 32 -
TACHOMETER	- 32 -
INDICATOR LAMPS.....	- 33 -
DISPLAY PAGES	- 36 -
MAIN – STANDARD.....	- 38 -
MAIN – SPORT	- 38 -
PHONE PAIRING - HORIZONTAL	- 39 -
PHONE PAIRING - VERTICAL	- 39 -
CAMERA - FRONT	- 40 -
CAMERA - REAR.....	- 40 -
CAMERA – FRONT & REAR	- 40 -
SERVICING INFORMATION.....	- 41 -
GENERAL INFORMATION	- 41 -
DRIVELINE MODES	- 42 -
DRIVE MODES	- 43 -
2.4 PHONE PAIRING	- 44 -
3.0 OPERATION	- 46 -
3.1 START UP PROCEDURE.....	- 46 -
STARTING UP	- 46 -
SHUTTING DOWN	- 47 -

P R E F A C E

3.2 VEHICLE BREAK-IN PERIOD.....	- 48 -
BREAK-IN: ENVIRONMENTAL.....	- 48 -
BREAK-IN: ENGINE & DRIVETRAIN.....	- 49 -
BREAK-IN: BRAKE SYSTEM	- 50 -
BREAK-IN: CVT (CLUTCHES & BELT)	- 50 -
3.3 PRE-RIDE ASSESSMENT	- 51 -
3.4 NEW OPERATING INSTRUCTIONS.....	- 52 -
3.5 TRANSPORTING	- 53 -
4.0 MAINTENANCE	- 54 -
4.1 PREVENTATIVE MAINTENANCE	- 54 -
PERIODIC MAINTENANCE SCHEDULE	- 54 -
50 MILES (80 KILOMETERS).....	- 55 -
250 MILES (400 KILOMETERS).....	- 55 -
500 MILES (800 KILOMETERS).....	- 56 -
750 MILES (1200 KILOMETERS).....	- 57 -
1,000 MILES (1,600 KILOMETERS).....	- 57 -
1,250 MILES (2,000 KILOMETERS).....	- 58 -
1,500 MILES (2,400 KILOMETERS).....	- 59 -
1,750 MILES (2,800 KILOMETERS).....	- 60 -
2,000 MILES (3,200 KILOMETERS).....	- 60 -
2,250 MILES (3,600 KILOMETERS).....	- 62 -
2,500 MILES (4,000 KILOMETERS).....	- 62 -
2,750 MILES (4,400 KILOMETERS).....	- 63 -
3,000 MILES (4,800 KILOMETERS).....	- 63 -
3,250 MILES (5,200 KILOMETERS).....	- 65 -
3,500 MILES (5,600 KILOMETERS).....	- 65 -
3,750 MILES (6,000 KILOMETERS).....	- 66 -
4,000 MILES (6,400 KILOMETERS).....	- 66 -
4,250 MILES (6,800 KILOMETERS).....	- 68 -
4,500 MILES (7,200 KILOMETERS).....	- 68 -
4,750 MILES (7,600 KILOMETERS).....	- 69 -
5,000 MILES (8,000 KILOMETERS).....	- 69 -
5,250 MILES (8,400 KILOMETERS).....	- 71 -
5,500 MILES (8,800 KILOMETERS).....	- 71 -

P R E F A C E

5,750 MILES (9,200 KILOMETERS)	- 72 -
6,000 MILES (9,600 KILOMETERS)	- 72 -
6,250 MILES (10,000 KILOMETERS)	- 74 -
4.2 LUBRICATION	- 75 -
4.3 ENGINE	- 76 -
OIL CHANGE PROCEDURE	- 76 -
ENGINE ACCESS PANEL	- 79 -
4.4 TRANSMISSION OIL	- 80 -
FRONT DIFFERENTIAL	- 80 -
REAR DIFFERENTIAL	- 81 -
4.5 AXLES	- 82 -
CHANGING AN AXLE	- 82 -
GREASING AN AXLE	- 83 -
4.6 POWER STEERING FLUID	- 84 -
4.7 ETHANOL	- 84 -
4.8 SPARK PLUGS	- 85 -
4.9 SPARK ARRESTER	- 86 -
4.10 COOLING SYSTEM	- 87 -
COOLANT CHANGE PROCEDURE	- 88 -
4.11 CLUTCHES & CVT BELT	- 89 -
CHANGING CVT BELT	- 89 -
CVT DRYING	- 91 -
4.12 BRAKES	- 92 -
BRAKE INSPECTION	- 92 -
BRAKE FLUID	- 93 -
MASTER CYLINDER	- 94 -
4.13 SUSPENSION	- 95 -
GENERAL	- 95 -
RIDE HEIGHT	- 95 -
ADJUSTING RIDE HEIGHT	- 95 -
ADJUSTING THE CROSSOVER RING	- 96 -
ADJUSTING THE COMPRESSION	- 97 -
ADJUSTING THE REBOUND	- 97 -
CAMBER ALIGNMENT	- 98 -

P R E F A C E

TOE ALIGNMENT	- 98 -
4.14 BATTERY	- 99 -
REMOVAL	- 99 -
INSTALLATION	- 99 -
CHARGING	- 100 -
PROLONGED STORAGE	- 100 -
4.14 FUSE BOX / RELAY CENTER.....	- 100 -
FUSE BOX LOCATIONS.....	- 100 -
FRONT FUSE BOX.....	- 101 -
REAR FUSE BOX	- 102 -
4.15 AIR FITLER.....	- 103 -
4.16 WHEELS & TIRES.....	- 104 -
TIRE TREAD DEPTH.....	- 104 -
TIRE DIAMETER	- 105 -
AXLE AND LUG NUTS.....	- 106 -
WHEEL REMOVAL	- 107 -
WHEEL INSTALLATION.....	- 107 -
4.17 LIGHTS.....	- 107 -
4.18 WASHING.....	- 108 -
CLEANING.....	- 108 -
4.19 MAINTENANCE LOG	- 109 -
5.0 WARRANTY	- 110 -
5.1 SPEED LIMITED WARRANTY	- 110 -
WARRANTY REGISTRATION FORM.....	- 110 -
TERM.....	- 110 -
COVERAGE CONDITIONS & LIMITATIONS	- 110 -
5.2 WARRANTY EXCLUSIONS	- 113 -

BEFORE YOU RIDE

RESPONSIBILITY

This is a high performance off-road vehicle that likely exceeds the performance of other vehicles you have driven or ridden. It is your primary responsibility as a Speed UTV owner to take the time to familiarize yourself with your new vehicle. Even with all of the vehicle safety features, there is always a risk of injury, fatality and/or property damage. Operators must always exhibit the utmost care towards preventative measures to avoid rollovers, tipovers, collisions, loss of control, and other accidents of all types.

Take the time to read this Owner's Manual thoroughly as it will provide valuable information that if followed will make you a better and safer driver.

Always inspect and confirm the safe operating condition of your vehicle prior to every ride. Always follow the maintenance schedule described in this Owner's Manual.

WARNING

Failure to heed the warnings and safety precautions contained in this manual can result in severe injury or fatality. Your Speed UTV vehicle is not a toy and can be hazardous. This vehicle handles differently than other cars, trucks, or other off-road vehicles. A collision, rollover, or loss of control can occur quickly, even during routine maneuvers like turning, or driving on hills or over obstacles, if you fail to take proper precautions.

- Read this Owner's Manual thoroughly and keep a copy with the vehicle.
- Understand all safety warnings, precautions, and operating procedures before operating the vehicle.
- Vehicle operator **MUST** be at least 16 years old with a valid driver's license.
- All riders must be able to sit with their backs against the seat, feet flat on the floor and both hands on the steering wheel (if driving) or on hand holds.
- Always use the doors and window nets (if equipped) while riding in this vehicle.
- Always keep hands, feet, and all body parts inside the vehicle at all times.
- Always wear seat belts and shoulder straps when riding in this vehicle.
- Always wear a helmet, eye protection, gloves, long-sleeve shirt, long pants, and over-the-ankle boots.
- Never operate this vehicle under the influence of drugs or alcohol, as these conditions impair judgement and the operator's ability to react.

INTRODUCTION

RADIO COMPLIANCE STATEMENTS

This vehicle may contain radio equipment or components that contain radio equipment.

These devices comply with part 15 of the FCC Rules. Operation is subject to the following two conditions:

- 1) The devices may not cause harmful interference.
- 2) The devices must accept any interference received, including interference that may cause undesired operation.



CAUTION

Changes or modifications not expressly approved by the party responsible for compliance could void the user's authority to operate the equipment.

INTRODUCTION

VEHICLE IDENTIFICATION NUMBERS

Record your vehicle's identification number and engine serial number in the spaces provided below. Remove the spare key and store it in a safe place. An ignition key can be duplicated only by ordering a Speed UTV key and having it programmed by an authorized dealer.

**Model Number:
(MN)**

--	--	--	--	--	--	--	--	--	--	--	--	--	--	--	--	--	--

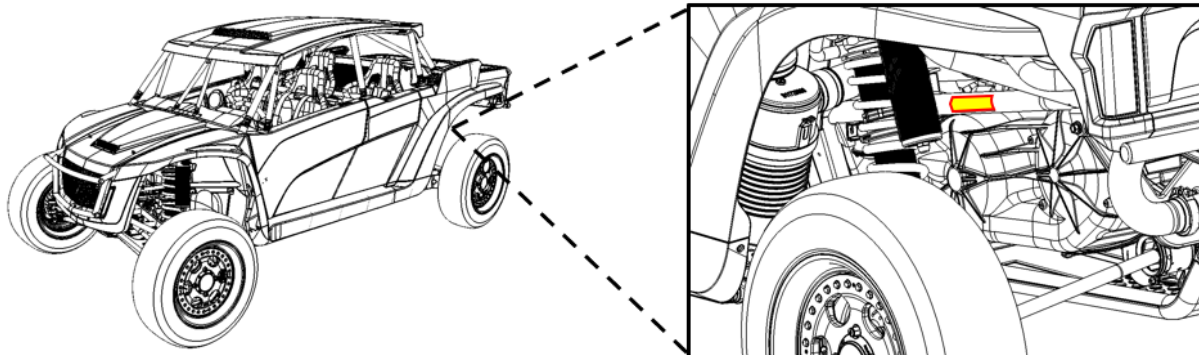
**Vehicle Identification Number:
(VIN)**

--	--	--	--	--	--	--	--	--	--	--	--	--	--	--	--	--	--

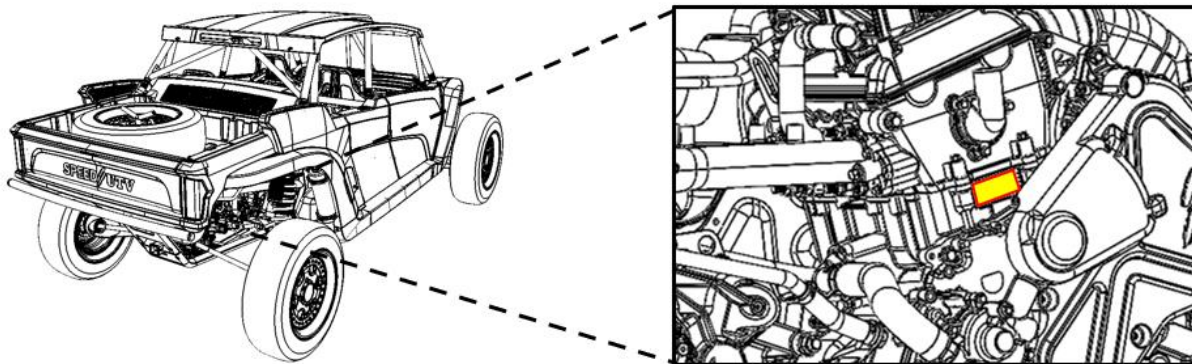
**Engine Serial Number:
(ESN)**

--	--	--	--	--	--	--	--	--	--	--	--	--	--	--	--	--	--

LOCATION OF VEHICLE IDENTIFICATION NUMBER



LOCATION OF ENGINE SERIAL NUMBER



1.0 SAFETY

1.1 SAFETY TRAINING

All operators and passengers should carefully read and fully understand the content of this Owner's Manual to reduce the risk of accidents. Operators must abide by the procedures outlined in this manual to achieve the best and most reliable performance from their vehicle. Anyone who you entrust with the use, possession or operation of your UTV should also be required to read this manual and be trained on how to operate the UTV.

Safety training is a top priority for Speed UTV, and we strongly encourage you and any family members, passengers, and all others who will be operating or riding this vehicle to take a certified training course.

- a. Only start and operate the vehicle after you have finished reading this manual.
- b. Pay close attention to the warning and caution labels on the UTV.
- c. Fully understand how to use the built in safety devices (cab frame structure, seat belts), and never change the original safety devices. If the safety devices are damaged, consult your local dealer for a replacement.
- d. Always wear seat belts.

WARNING

Always wear personal protective equipment (PPE), including a certified helmet, eye protection, long sleeves, gloves, appropriate footwear, etc.

Do not wear loose article of clothing during operation, servicing, or maintenance, as these can be drawn into moving parts on the vehicle and could cause a severe injury or fatality.

Any improper use, maintenance, or modification of this vehicle may lead to serious injury or fatality.

Any modifications or installation of non-Speed UTV approved accessories may increase the risk of injury or fatality.

Never allow unauthorized persons to work on or repair this UTV as it may affect vehicle safety and/or performance.

S A F E T Y

1.2 SAFETY GEAR

Always wear the appropriate Personal Protective Equipment (PPE): a safety certified helmet, proper eye protection, long-sleeves, gloves, long pants, over-the-ankle boots, and a seat belt at all times.


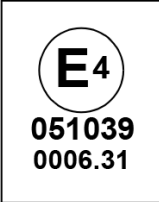

Wearing certified protective gear reduces the chances of injury and fatality.

- 1) Helmet
- 2) Eye Protection
- 3) Long Sleeves
- 4) Gloves
- 5) Long Pants
- 6) Over-the-Ankle Boots



HELMET

Always wear a safety certified helmet. Wearing a helmet can prevent a severe head injury or fatality. Whenever riding this Speed UTV, make sure that your helmet meets or exceeds standard safety certifications. Clasp the buckle and pull each strap tight to ensure the helmet is properly secured to the head and ensure it does not move when you shake your head. Parents and supervising adults should verify that young or new operators have a helmet that fits and should obtain one of proper size if it does not fit before operating the vehicle.

	Approved helmets in the USA and Canada bear a U.S. Department of transportation (DOT) label, illustrated here for reference.
	Approved helmets in Europe, Asia, and Oceania bear the ECE 22.05 label, illustrated here for reference. The ECE mark consists of a circle surrounding the letter E, followed by the distinguishing number of the country which had granted approval. The approval number and serial number will also be displayed on the label.
	Approved helmets that meet the Snell Standards bear a Snell certification label inside. The Snell Foundation maintains a listing of all helmets that have met the Snell Standards.

S A F E T Y

EYE PROTECTION

Wearing eye protection when off-road riding is crucial to shield against flying debris, dust, mud, and insects. It prevents eye injuries and maintains clear vision, allowing the rider(s) to focus on the track. Eye protection also reduces the risk of eye fatigue and damage from wind, UV rays, and glare. Do not depend solely on eyeglasses or sunglasses for eye protection. Whenever riding this Speed UTV, always wear shatterproof goggles or use a shatterproof helmet face shield. Speed UTV recommends wearing approved Personal Protective Equipment (PPE) bearing markings such as VESC 8, V-8, Z87.1, or CE. Always make sure protective eye wear is kept clean.

GLOVES

Wearing gloves while operating this Speed UTV provides a better grip on the steering wheel, reduces hand fatigue, provides better control, and offers protection against vibrations, impacts, and abrasions. Wear the appropriate gloves that are designed so that the manufacturer's specifications meet the expected environment and riding conditions. Gloves should provide comfort and adequate protection from the weather. It is also recommended to wear a pair of durable gloves that can be used in the event that work must be completed on the vehicle.

BOOTS

Wearing boots while operating this Speed UTV provides ankle support, protects against impacts, and offers increased stability. Boots with aggressive tread patterns provide better traction in various terrains, while reinforced toe caps and shank plates offer protection from rocks, debris, and potential foot injuries in the event of a high-impact maneuver. Wear sturdy over-the-ankle boots for support and protection. It is also recommended to wear a pair of durable boots that can be used in the event that work must be completed on the vehicle. Never ride a Speed UTV vehicle with bare feet, sandals, open or other footwear that does not enclose and protect the feet and ankles.

CLOTHING

Wearing long sleeves and long pants when off-road operation provides protection against sunburn, scratches, abrasions, and cuts from vegetation. They also act as a barrier against dirt, dust, and debris, reducing the risk of skin irritation and minimizing exposure to elements like extreme temperatures and insects. Wear protective long sleeves and long pants to protect arms and legs.

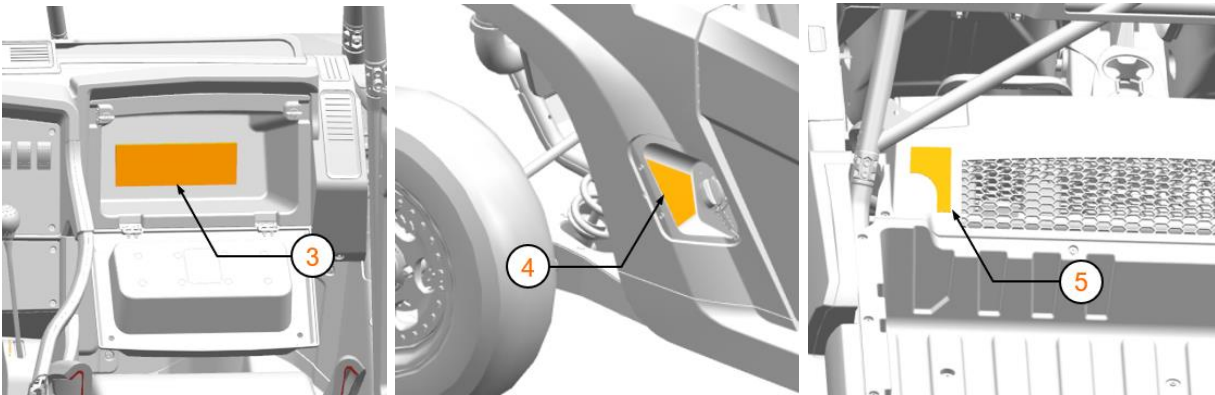
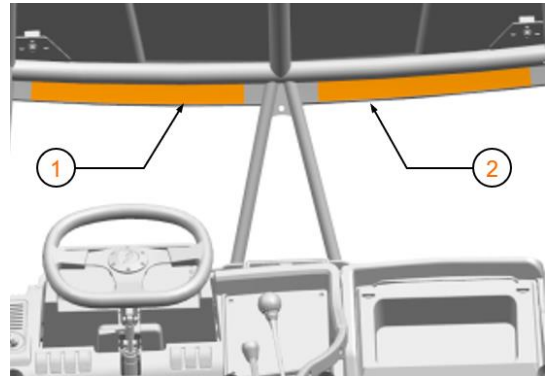
SAFETY

1.3 SAFETY LABELING

Warning labels have been placed on the vehicle for your protection. Read and follow the instructions of the labels on the vehicle carefully. If any of the labels depicted in this manual differ from the labels on your vehicle, always read and follow the instructions of the labels on the vehicle.

If an informational or graphic label becomes illegible or comes off, contact Speed UTV, your Speed dealer or qualified Speed personnel to order a replacement. Replacement safety labels are provided by Speed UTV at no charge. The part number is printed on the label.

1. Proper Use Warning, Tire Pressure/Load
2. Rider's Warning
3. Slope Warning, Operator Responsibility
4. Fuel Warning
5. Payload Warning



CAUTION

When washing the vehicle, if any warning labels begin to peel, or come off, contact your Speed UTV dealer to organize getting replacement labels.

S A F E T Y

DANGER

Always keep your hands, feet, arms, and legs fully inside the vehicle at all times. Allowing body parts to pass outside of the vehicle significantly increases the risk of being struck by passing objects or being crushed in the event of a rollover.

Do not put any part of your body outside of the vehicle for any reason.

PROPER USE WARNING

Operators must properly use the vehicle and do their part to prevent injuries:

- Do not allow careless or reckless driving.
- Make sure operators are at least 16 years of age and have a valid driver's license.
- Do not let people drive or ride after using alcohol or drugs.
- Do not allow operation on public roads (some state laws may vary).
- Do not exceed maximum seating capacity: 4 total occupants.
- Do not exceed maximum payload capacity: 740 lbs. (336 kg).
- Do not exceed maximum cargo box capacity: 300 lbs. (136 kg).

RIDER'S WARNING

Stay alert, be prepared, and plan in advance. If you think or feel the vehicle may tip or roll, take immediate protective steps to reduce your risk of injury:

- Keep all of your body parts inside the vehicle at all times.
- Keep a firm grip on the hand hold and brace yourself.

SEAT BELT WARNING

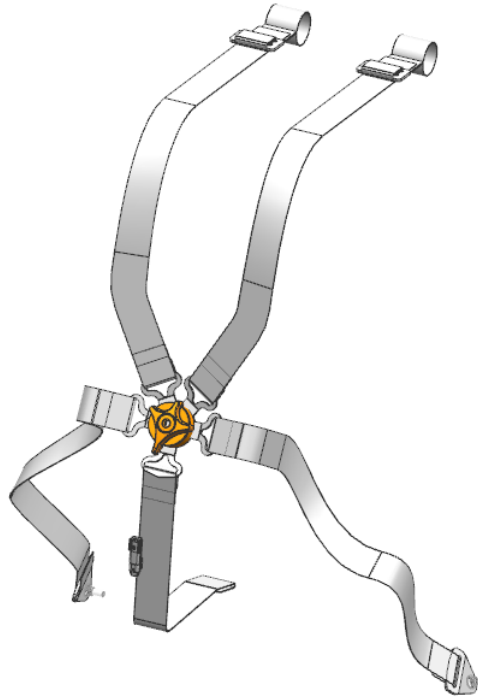
Seat belts are an essential piece of safety equipment as they keep occupants from colliding with the vehicle interior during a collision and prevent ejection from the vehicle. Riding without wearing a seat belt increases the risk of serious injury or fatality in the event of a rollover, loss of control, sudden stops, or other accidents. Always wear a seat belt and ensure all passengers are safely buckled in before operating the vehicle.

CAUTION

Without the operator's seat belt properly fastened the vehicle will enter into a limp mode in which the vehicle's operations become limited, and the maximum speed will be limited to **15 mph (24 kph)**.

SAFETY

1. Ensure that the seat is appropriately sized for the occupant (if uncertain, contact the customer support team).
2. Start by laying all seat belt straps away and outside of the main seat bottom and backrest.
3. Sit with a straight upper body, back against the seat, and feet flat on the floor.
4. Move the posterior all the way into the back of the seat towards the seat break.
5. Check that the shoulders are at minimum level with the seat belt opening on back of seat.
6. Insert all four seat belt buckles into the cam-lock taking care not to twist or rotate the belts.
7. Ensure seat belt buckles are fastened by giving each one a quick tug individually.
8. Adjust fifth-point strap (between legs) so that waist straps lay on hips.
9. Tighten waist straps around hips by pulling the latch up and then pulling the belt.
10. Tighten shoulder straps by pulling the latch up and then pulling the belt.
11. Ensure a secure fit by checking that no more than two fingers can fit between the seat belt straps and the body.
12. **ALL** riders **MUST** wear a seat belt and shoulder straps at all times.



⚠️ WARNING

To ensure that the seat belt latches continue to function properly, clean and clear any dirt, sand or debris from the seat belts using a sponge, toothbrush, mild soap, and water. Do not use bleach, dye, or household detergents when cleaning seat belts.

Rinse the entire length of the belt webbing and use a soft stream from a garden hose to flush out the latch housing regularly.

S A F E T Y

PAYLOAD / CARGO WARNING

Transporting loads can be a dangerous operation if appropriate safety procedures are not followed. Operators loading, transporting, and unloading cargo can cause serious injury and even fatality. For your safety, and the safety of others, carefully consider how your vehicle is loaded and how it should be safely operated while loaded.

- Before loading, ensure the vehicle is securely braked and stabilized.
- Ensure payloads are centered, evenly distributed, and as low down as possible.
- Ensure payloads are secured to the vehicle using at least two tiedowns.
- Ensure tiedowns are attached such that they cannot become loose or unfastened.
- Reduce speed and allow greater distances for braking when carrying cargo.
- Employ a higher level of caution when operating the vehicle on uneven surfaces.
- Stop frequently to check cargo, more necessary when traveling long distances.

DANGER

Do not carry passengers in the cargo box. Passengers can be violently thrown off causing severe injury or fatality.

LOAD WARNING

The weight of the vehicle, occupants, and cargo directly impacts vehicle operation and stability. Overloading can cause loss of control and reduce braking effectiveness which can result in severe injury or fatality.

WARNING

Do not exceed the vehicle's maximum total load capacity, and always distribute the load evenly. Overloading or unbalanced loading can cause the operator to lose control of the vehicle which can result in severe injury or fatality.

MAXIMUM CARGO BED CAPACITY: 300 lbs. (136kg)
MAXIMUM TOTAL LOAD CAPACITY: 740 lbs. (336kg)

TIRE PRESSURE WARNING

Improper tire pressure can cause the vehicle to lose control resulting in injury or fatality.

TIRE PRESSURE (FRONT): 20 psi (138 kPa)
TIRE PRESSURE (REAR): 20 psi (138 kPa)

SAFETY

SLOPE WARNING

Rollovers can and have caused severe injuries and fatality, even on flat, open areas. Always drive responsibly and maintain control over the vehicle:

- Avoid abrupt maneuvers, sideways sliding, skidding, drifting, stunting, fishtailing and never do donuts.
- Slow down before entering a turn.
- Avoid hard acceleration and braking when turning or starting from rest.
- Plan for hills, rough terrain, ruts, and other changes in traction due to the terrain.
- Avoid side hilling, the act of riding across hill on an angle.
- Avoid hard, compacted, or paved surfaces.

DANGER

Avoid performing risky maneuvers that can cause the vehicle to lose control resulting in a rollover that can lead to severe injury or fatality.

PROHIBITION OF ALCOHOL OR DRUGS

It is strictly prohibited to operate the vehicle while impaired. Operating the vehicle after consuming alcohol or drugs can adversely affect operator judgment, reaction time, balance, and perception.

Never consume alcohol or drugs before or while operating this vehicle.

DANGER

Do not operate the vehicle while impaired, operating the vehicle after consuming alcohol or drugs can adversely affect operator judgement, reaction time, balance, and perception, resulting in severe injury or fatality.



S A F E T Y

1.4 SAFETY INSTRUCTIONS

PRE-OPERATION CHECKS

- Check general vehicle condition. Ensure the vehicle is clean and properly maintained. Build-up of sludge, grease, and/or debris can impair safety, cause damage, possible fire, and severe injury or death.
- Check seat belts for wear or damage: replace worn and damaged seat belts before operation.
- Check brakes, throttle, brake pedal and other mechanical parts for proper operation. If you discover any irregularities, replace related parts.
- Periodically check fittings, and fasteners.
- Check engine oil level and engine coolant level.
- Check that the UTV is equipped with the appropriate features and accessories to function safely in the intended driving conditions and surrounding environment.

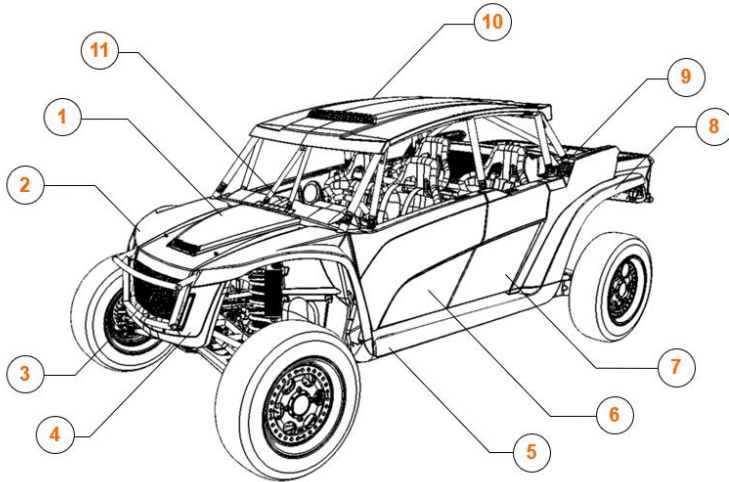
PASSENGER QUANTITY & LOADING

- There must be no more than four (4) occupants: that is one (1) driver and a maximum of three (3) passengers.
- The driver is responsible for ensuring that their seat belt and the seat belts of all occupants are properly adjusted and securely fastened before operation.
- While seated, occupants' shoulders must be level with the seat belt shoulder openings in the seat back.
- Children under the age of 5 or individuals who do not meet the above shoulder height requirement are not allowed as passengers without additional safety restraint systems installed correctly and according to manufacturer's specifications.
- Never exceed the weight limit of operation.
- Reduce the payload weight according to riding conditions.

2.0 FEATURES & CONTROLS

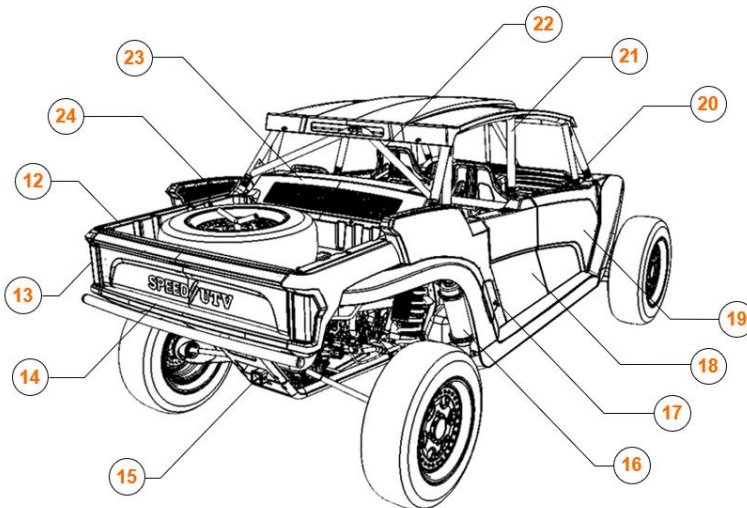
2.1 VEHICLE LAYOUT

FRONT # DESCRIPTION



- 1) Hood
- 2) Fender, Front
- 3) Grille
- 4) Headlights
- 5) Rocker Panel
- 6) Door, Front, Left-side
- 7) Door, Rear, Left-side
- 8) Fender, Rear
- 9) Engine Air Intake, Front
- 10) Roof
- 11) Dash

REAR # DESCRIPTION

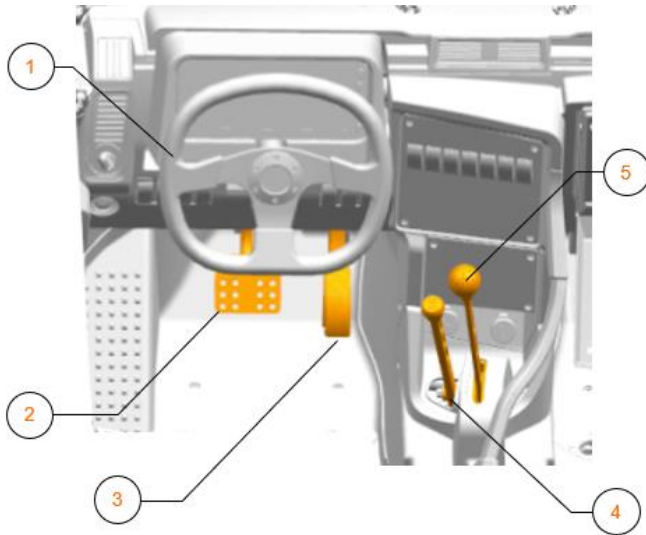


- 12) Cargo bed
- 13) Taillight
- 14) Tailgate
- 15) Tow Hitch
- 16) Oil Tank
- 17) Fuel Tank Cap
- 18) Door, Rear, Right-side
- 19) Door, Front, Right-side
- 20) ROPS, Front
- 21) ROPS, Center
- 22) ROPS, Rear
- 23) Radiator
- 24) Engine Air Intake, Side

FEATURES & CONTROLS

INTERIOR - CONTROLS

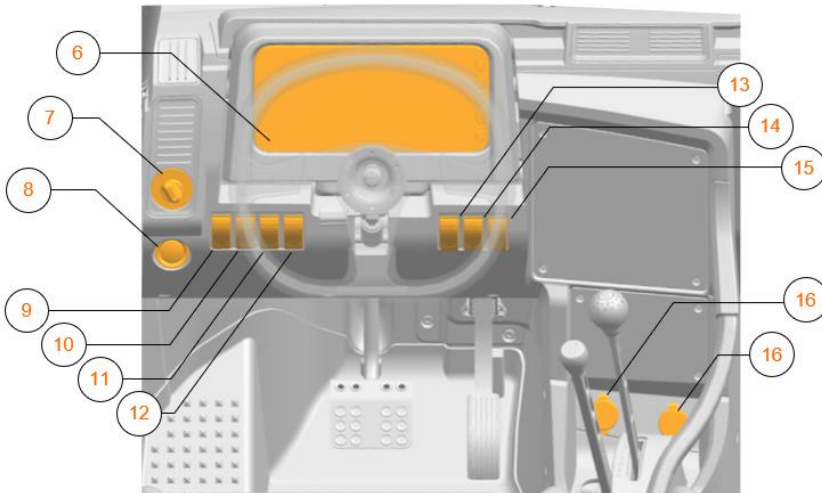
DESCRIPTION



- 1) Steering Wheel
- 2) Brake Pedal
- 3) Throttle Pedal
- 4) AWD Lever
- 5) Gear Lever

INTERIOR - SWITCHES

DESCRIPTION



- 6) Digital Display
- 7) Headlights
- 8) Start/ignition
- 9) Lights, ROPS
- 10) Lights, Bumper
- 11) Lights, Side Mirrors
- 12) AUX
- 13) Horn
- 14) Turn/Hazard Signals
- 15) Speed Key
- 16) 12V Accessory Outlet

⚠️ WARNING

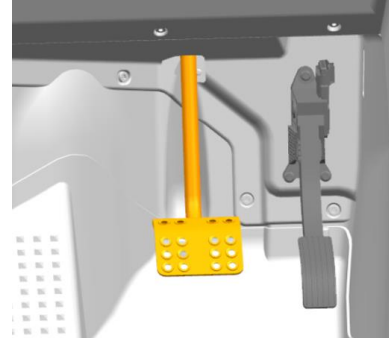
To avoid electric shock, do not touch any exposed wiring or power outlets with wet hands or insert any objects that the power outlets are not designed to receive. Keep the power outlet lids closed when not in use.

2.2 COMPONENTS

BRAKE PEDAL

Depress the brake pedal down to slow or stop the vehicle. Spring pressure returns the pedal to the rest position when released.

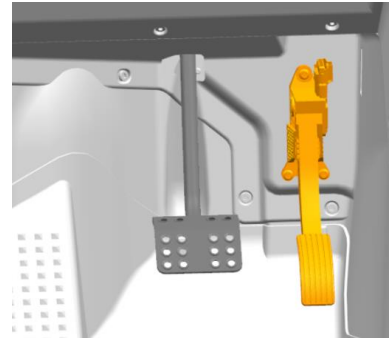
The brakes **MUST** be applied while starting the engine. Ensure your seated position provides your feet enough space to fully compress the brake pedal.



THROTTLE PEDAL

Depress the throttle pedal down to increase engine speed. Spring pressure returns the pedal to the rest position when released.

Always check that the throttle pedal returns to the unloaded position before starting the engine.



⚠ IMPORTANT

If the throttle pedal and brake pedal are applied simultaneously, engine power and braking force may be limited.

TRAILER RECEIVER HITCH

This vehicle is equipped with a receiver hitch for use with a mating trailer hitch. The trailer towing equipment is not supplied with this vehicle.

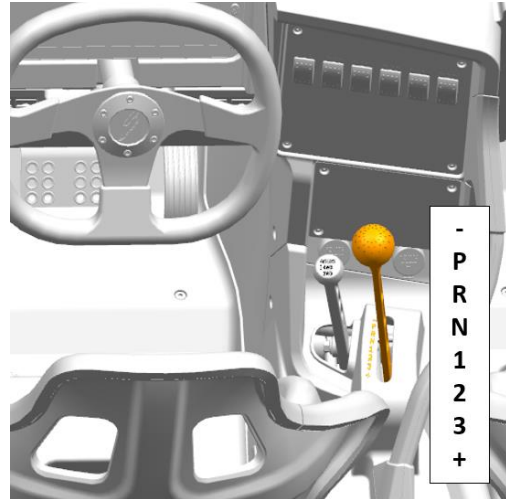
To avoid injury and property damage, always heed the warnings and towing capacities outlined in this manual.

GEAR SELECTOR

The gear selector is used to shift between low, middle, and high gears while the vehicle is stationary. Speed UTV recommends shifting gears only while the vehicle is stationary.

1. Bring the vehicle to a complete **STOP**.
2. Let the engine idle.
3. Push/Pull the gear lever to shift down/up.
4. Release the gear lever after shifting.
5. The gear lever will bounce back to center.
6. Repeat to shift to the next gear.

P	PARK	
R	REVERSE	
N	NEUTRAL	
1	FIRST	(LOW GEAR)
2	SECOND	(MEDIUM GEAR)
3	THIRD	(HIGH GEAR)



Always shift into first (low gear) for any of the following conditions while riding:

- Operating in rough terrain or over obstacles
- Loading the vehicle onto a trailer
- Towing heavy payloads

! IMPORTANT

Maintaining shift linkage adjustments is important to assure proper transmission function. Your dealer or qualified technician will be able to assist you in resolving any shifting issues.

! CAUTION

DO NOT attempt to shift the transmission while the vehicle is moving, or the transmission may be damaged. Always shift when the vehicle is stationary, and the engine is at idle.

Damaged, broken or rounded shifting dogs are considered user error and are thereby the responsibility of the operator.

ALL WHEEL DRIVE (AWD)

Use the All-Wheel-Drive (AWD) lever to change the vehicle's driveline configuration. There are three available settings:

1. Two Wheel Drive (2WD)
2. Four Wheel Drive (4WD)
3. Four Wheel Drive (4WD) – Locked Differential

Press the lever towards the front to operate 2WD.
Press the lever towards the middle to operate 4WD.
Press the lever towards the rear to operate 4WD locked.



4WD - ENGAGEMENT

The drivetrain must be unloaded to engage and disengage the dogs, as such the 4WD lever should be engaged or disengaged while the vehicle is coasting. Engage the 4WD lever before getting into conditions where the front wheel drive may be needed.

ⓘ IMPORTANT

Switching to 4WD while the rear wheels are spinning or slipping may cause severe damage to the driveshaft of the gearcase. Always switch to 4WD while the rear wheels have traction or are at rest.

4WD - DISENGAGEMENT

Move the 4WD lever to the center from the bottom position to disengage 4WD.

In some situations, the front gearcase may remain locked after moving the 4WD lever back to the 2WD position. If this occurs, you may notice increased steering input effort required and some vehicle speed restriction. Perform the following procedures to unlock the front gearcase:

1. Stop the vehicle completely.
2. Operate in reverse for at least 10 ft (3 m).
3. Stop the vehicle completely.
4. Shift into low gear and drive forward.
5. If the front gearcase remains locked after following these instructions, see your dealer for service.

FRONT DIFFERENTIAL LOCK - ENGAGEMENT

To engage the front differential lock drive the vehicle at a slow constant speed and slowly input steering angle while simultaneously applying light pulling pressure to the 4WD lever. Applying steering angle causes the front tires to spin at different rates, this allows for the dog mechanism to align itself. And the 4WD Lever will drop into 4WD Lock position.

FRONT DIFFERENTIAL LOCK - DISENGAGEMENT

To disengage the front differential lock drive the vehicle at a slow constant speed and slowly input steering angle while simultaneously applying light pushing pressure to the 4WD lever. Once the dogs align the differential will unlock and the 4WD Lever will drop into the 4WD Open Position.

HEADLIGHT SWITCH

Use the headlight switch to select the desired level of illumination for the headlights. The vehicle ignition must be switched on to operate the headlights. The headlight switch has four settings:

- Off
- Running Lights
- Low Beam
- High Beam



AUXILIARY (CIGARETTE LIGHTER) OUTLET

The vehicle is equipped with two 12 volt accessory outlets that can supply power for portable accessories directly from the vehicle's electrical system. Use the outlet to power an auxiliary light or other optional accessories that are suited for automotive application. The accessory outlet can also be used for other vehicle battery charging.



AUXILIARY (USB) OUTLET

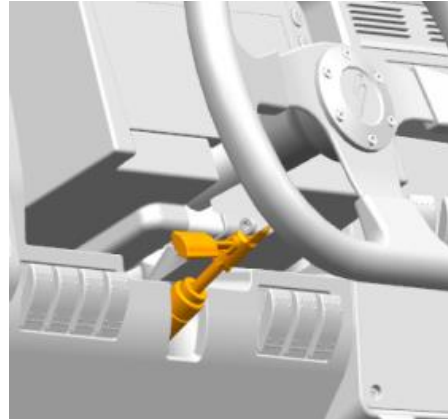
The vehicle is equipped with two dual USB accessory outlets that can supply power for portable USB accessories directly from the vehicle's electrical system. Use the outlet to charge a phone or other optional accessories that are suited for automotive application.



STEERING WHEEL

The steering wheel can be adjusted to the operator's preference. The adjustment lever is located just underneath the steering wheel and can be tilted upwards or downwards.

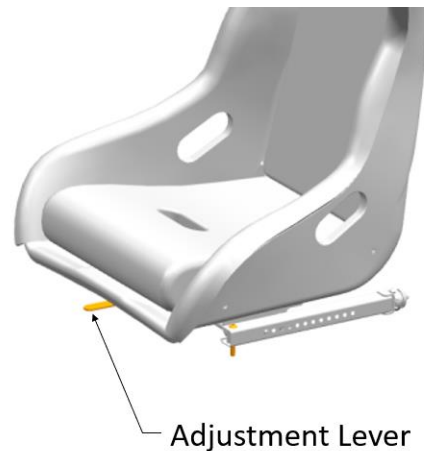
1. Hold onto the steering wheel.
2. Lift the steering wheel adjustment lever.
3. Move the steering wheel up or down.
4. Release the steering wheel adjustment lever when desired position is attained.



SEATS

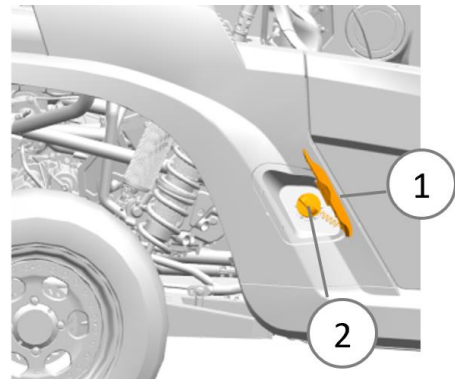
The seats are designed to be adjustable using a quick-release pin. The seats are equipped with an adjustment lever under the front edge of the seat. Adjust seats while the vehicle is stationary and prior to securing the seat belts.

1. Adjust seats while vehicle is stationary.
2. Adjust seats before securing seat belts.
3. Pull the adjustment lever sideways to disengage the quick-release pins.
4. Slide the seat to a forward position that provide an adequate field of view.
5. Ensure quick-release pins are securely in locking holes by pulling the adjustment lever back to original resting position.



FUEL CAP

The fuel tank filler is located on the right-hand rear quarter fender. Open the fuel tank cover lid to expose the fuel tank filler cap.



2.3 INSTRUMENT CLUSTER

DIGITAL DISPLAY LAYOUT

The digital display for the Speed UTV comes with multiple display screen page options. If equipped the passenger side glovebox display functions will match the driver side display functions. The two displays collect the same vehicle information, while their features and functions can be operated independently.

WARNING

Always make changes to the instrument cluster while the vehicle is stationary.

CAUTION

Exposure to direct high-water pressure may cause damage to components. Components are rated to be water resistant under normal operating conditions. To reduce the risk of damaging electronics, only wash the vehicle by hand or with a garden hose using mild soap.

Do not use alcohol or cleaning products containing alcohol to clean the instrument cluster. Certain products, such as insect repellent, gasoline, etc., should be whipped off immediately if splashed onto the display to avoid damaging the display.

There are five (5) different push buttons located on the right side of the digital display. These buttons are used to interact with the different feature functions of the display which are described below.



1. MODE
2. SET
3. SELECT
4. MOVE LEFT
5. MOVE RIGHT

PUSH & TOGGLE BUTTONS

The **MODE** refers to the style of the page being displayed by the instrument cluster. This enables users to select their preferred style of display while also providing access to important vehicle information.

Press the **MODE** button to cycle through the different dash display configurations.

Press and hold the **SET** button to change between standard and metric display units.

Press and hold the **SEL** button to change the time. First press and hold will be the hour. Second press and hold will be the minutes. Use the **SET** button to change the number.



NOTICE

With the vehicle's engine turned OFF but the power turned ON, the display push & toggle buttons still function.

SPEEDOMETER

The speedometer displays the vehicle speed in either miles per hour (MPH) or kilometers per hour (km/h). The default settings it in miles per hour (MPH) and can be changed by cycling through the SET push button.










TACHOMETER

The tachometer displays the engine speed in revolutions per minute (RPM).






FEATURES & CONTROLS



INDICATOR LAMPS




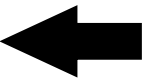
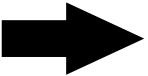
SYMBOL	NAME	FUNCTION
MPH	VEHICLE SPEED	When the standard mode is selected, the vehicle speed is displayed in miles per hour.
km/h		When the metric mode is selected, the vehicle speed is displayed in kilometers per hour.
	CHECK ENGINE	The check engine indicator appears if a fault is detected in the engine. DO NOT operate the vehicle, serious engine damage could result, contact your authorized Speed UTV dealer for assistance.
	GENERAL WARNING	The general warning indicator appears if a general fault condition exists. The light will remain illuminated as long as the fault condition exists. Provide the error code to your authorized Speed UTV dealer for assistance.
	ENGINE OIL PRESSURE	The engine oil pressure indicator appears when the oil pressure is too low. The vehicle will shut off to protect the engine. Check the oil level in the tank. If it is within the acceptable level, engine operation may resume.
	ENGINE OIL TEMPERATURE	The engine oil temperature indicator appears when the engine oil has overheated. Continuing to operate the vehicle may result in serious engine damage. Contact your authorized Speed UTV dealer for assistance.
	ENGINE TEMPERATURE	The engine temperature indicator will illuminate when the threshold for engine temperature has overheated. Continuing to operate the vehicle may result in serious engine damage. Contact your authorized Speed UTV dealer for assistance.
	CHECK BATTERY	The check battery indicator appears when the vehicle is operating at an RPM that is too low to keep the battery charged. It may also occur when the engine is at idle and high electrical load (light, cooling fan, accessories) is applied.
	BRAKE FLUID LEVEL	The brake fluid indicator appears when the brake fluid level is too low. Vehicle speed will be limited to 15 MPH (24 km/h). The brake fluid reservoir sensor should float when there is sufficient brake fluid in the system.

FEATURES & CONTROLS

SYMBOL	NAME	FUNCTION
	TIRE PRESSURE ALARM	The tire pressure alarm indicator appears when the tire pressure is either too high or too low. This will also occur when the tires have been changed as there is no long a sensor in the tires.
	LOW FUEL	The low fuel indicator appears when the fuel level in the tank is low and must be filled as soon as it is safe to do so. The triangle points to the side of the vehicle where the refueling post is located.
P	PARK	The park indicator appears when the transmission is in the park position and the ignition key is in the ON position.
R	REVERSE	The reverse indicator appears when the transmission is in the reverse position and the ignition key is in the ON position.
N	NEUTRAL	The neutral indicator appears when the transmission is in the neutral position and the ignition key is in the ON position.
1	FIRST GEAR	The first gear indicator appears when the transmission is in first gear and the ignition key is in the ON position.
2	SECOND GEAR	The second gear indicator appears when the transmission is in second gear and the ignition key is in the ON position.
3	THIRD GEAR	The third gear indicator appears when the transmission is in third gear and the ignition key is in the ON position.
	SEAT BELT	The seat belt indicator appears when the seat belt latch is not fully connected to all seat belt latches. Vehicle speed will be limited to 15 MPH (24 km/h) if the seat belt is not fully secured.

FEATURES & CONTROLS

	<p>SPEED KEY</p>	<p>The Speed “S” appears Orange when the operator activates the Speed Key. The Speed “S” appears Gray when the operator activates the Vallet Key. The Speed “S” is not present when the standard key is activated.</p>
	<p>SPEED SWITCH</p>	<p>The Speed UTV logo appears Orange when the following conditions are met:</p> <ol style="list-style-type: none"> 1. Speed Key is active. 2. Ethanol Content is sufficient. 3. Speed Switch in “ON” position.

SYMBOL	NAME	FUNCTION
	<p>HAZARD LIGHT</p>	<p>The hazard light acts as the emergency light. The operator decides whether to turn it on or not based on the condition and location of the vehicle.</p>
	<p>POSITION LIGHTS</p>	<p>The position lights appear when the headlamp switch is set to low beam, or when the position lights and license plate lamp is on.</p>
	<p>HIGH BEAMS</p>	<p>The high beams appear when the headlamp switch is set to high beam.</p>
	<p>LEFT TURN SIGNAL</p>	<p>The left turn signal appears when the left turn signal light has been turned on.</p>
	<p>RIGHT TURN SIGNAL</p>	<p>The right turn signal appears when the right turn signal light has been turned on.</p>

FEATURES & CONTROLS

DISPLAY PAGES

There are nine different pages that can be selected to be displayed on the Speed UTV instrument cluster.

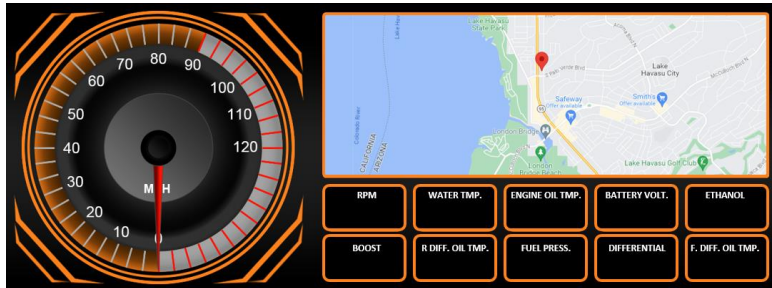
1. MAIN – STANDARD DISPLAY



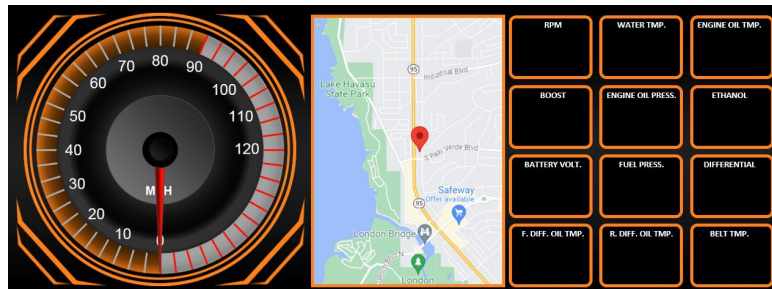
2. MAIN – SPORT



3. PHONE PAIRING - HORIZONTAL



4. PHONE PAIRING - VERTICAL



FEATURES & CONTROLS

5. CAMERA - FRONT



6. CAMERA - REAR



7. CAMERA - FRONT & REAR



8. SERVICE INFORMATION



9. GENERAL INFORMATION



FEATURES & CONTROLS

MAIN – STANDARD

The standard display serves as the central interface for the driver, providing essential information about the vehicle's performance and features. The purpose of the standard display is to help the driver operate the vehicle safely and efficiently.



MAIN – SPORT

The Sport display serves as the central interface for the driver, providing essential information about the vehicle's performance and features while in a Sport environment. The purpose of the Sport display is to help the driver maintain a full overview of vehicle operations while operating the vehicle.



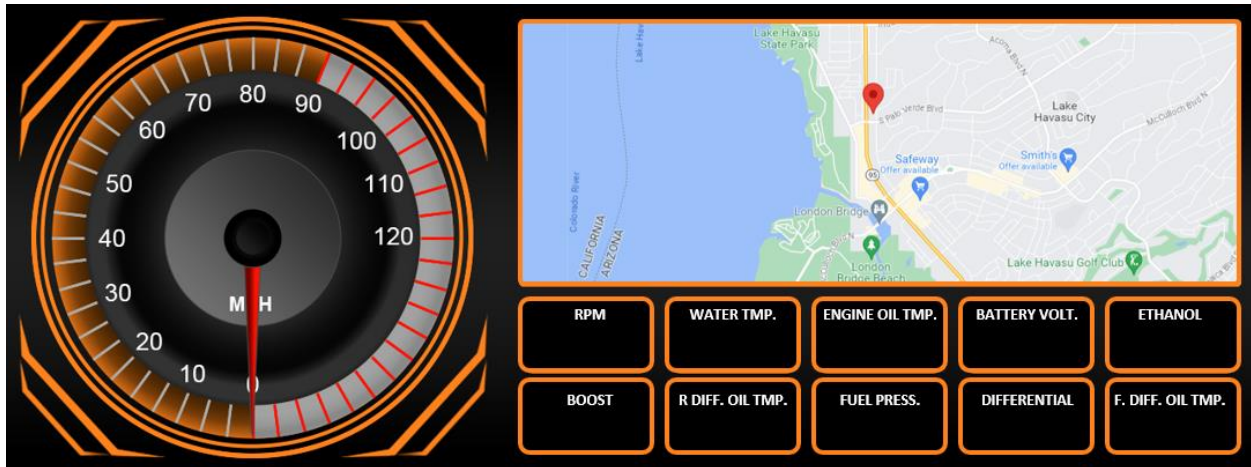
FEATURES & CONTROLS

WARNING

Only make changes to the phone pairing while the vehicle is stationary and in Park.

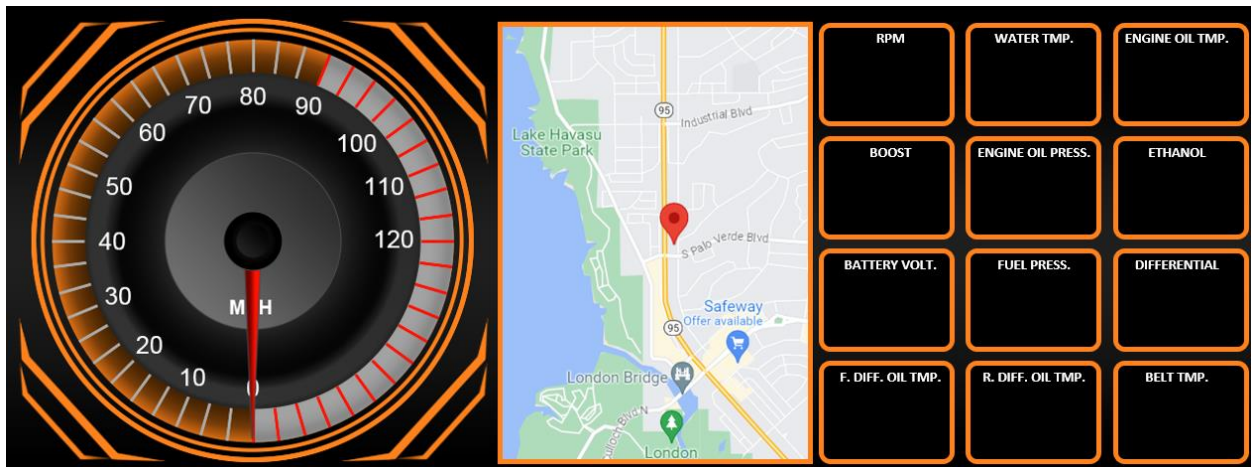
PHONE PAIRING - HORIZONTAL

Once paired with a device, this horizontal configuration enables a wide view while continuing to display important vehicle operating information.



PHONE PAIRING - VERTICAL

Once paired with a device, this vertical configuration enables a focused view while continuing to display important vehicle operating information.



FEATURES & CONTROLS

CAMERA - FRONT



RPM	WATER TMP.	ENGINE OIL TMP.	BATTERY VOLT.	ETHANOL
BOOST	R DIFF. OIL TMP.	FUEL PRESS.	DIFFERENTIAL	F. DIFF. OIL TMP.

CAMERA - REAR



CAMERA - FRONT & REAR



FRONT

REAR

SERVICING INFORMATION

This page allows the driver to view the service information about the vehicle, and in future version it will provide operators with their maintenance scheduling.



GENERAL INFORMATION

This page allows the driver to view the general information about the vehicle, and in future version it will provide operators with diagnostic trouble codes (DTCs).



DRIVELINE MODES

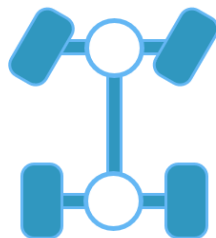
The status of the four-wheel-drive (4WD) mode is represented on the dash using the following graphical illustrations:

2WD



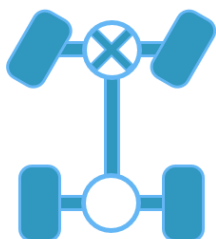
This icon stands for Two Wheel Drive (2WD), and when it is engaged the power from the transmission is only transferred to the two rear wheels (RWD). This configuration will provide the smoothest ride on paved surfaces, the best fuel efficiency, and reduce wear and tear on the drivetrain components as they are not constantly engaged.

4WD



This icon stands for Four Wheel Drive (4WD) **Unlocked**, and when it is engaged the front wheels are free to rotate independently of each other. In the event that one front wheel loses traction or encounters an obstacle, the other front wheel can continue to rotate freely, improving maneuverability and handling on slippery surfaces or uneven terrain. Select this mode for all off road operating conditions other than those outlined below.

4WD - LOCKED



This icon stands for Four Wheel Drive (4WD) **Locked**, and when it is engaged both of the front wheels rotate at the same velocity, regardless of traction conditions. This means that power is evenly distributed between the front wheels, maximizing traction, and pulling power to gain enhanced off-road capabilities. While in 4WD-Locked, the grip of the vehicle is improved as the front wheels work together allowing the vehicle to maintain forward motion and momentum. Select this mode only for rock crawling, mud, and loose or soft terrain when additional traction is needed.



NOTICE

The actuation of 4WD system on the Speed UTV is fully mechanical and will stay in whichever mode is selected until the operator selects another. It is the operator's responsibility to select an appropriate drive mode for the surface and terrain the vehicle is operating in.

DRIVE MODES

The status of the vehicle's performance capabilities is defined by the color of the Speed logo on the dash.

VALET



Valet mode is activated when the Valet Key fob is the closest key fob to the powered keyless entry (PKE) module.

The Valet mode can be recognized when the Speed S on the dash is illuminated in gray.

STANDARD

Standard drive mode is activated when the Standard Key fob is the closest key fob to the powered keyless entry (PKE) module. It is the dominant key fob in the event that multiple key fobs are all present and within the same approximate distance to the PKE.

The Standard mode can be recognized when the Speed S on the dash is turned OFF.

SPEED



Speed mode is activated when the Speed Key fob is the closest key fob to the powered keyless entry (PKE) module.

The Speed mode can be recognized when the Speed S on the dash is illuminated orange.

2.4 PHONE PAIRING

The digital dash and passenger displays can be connected to a smart phone with Wifi, Bluetooth, and cellular data capabilities.

STEP 1:

Turn on the **Wifi**, **Bluetooth**, and **cellular data** from the setting menu on the smartphone being paired.



STEP 2:

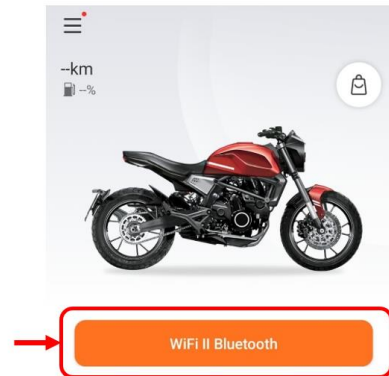
Download the **MotoFUN** application from the Apple App Store or the Microsoft Play Store.



STEP 3:

Open the MotoFUN application and select the **"Wifi || Bluetooth"** button.

This will prompt you to allow MotoFUN to find, connect to, and determine the relative position of nearby devices.



STEP 4:

Turn the power on for your vehicle and navigate to either the horizontal or vertical screen pairing page on your display using the **"MODE"** button.

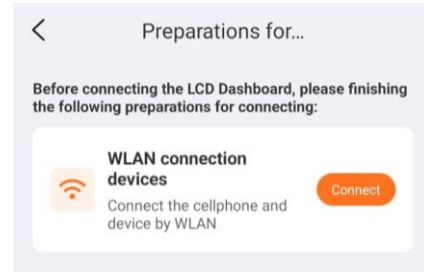
Use your device's camera to scan the QR code on the vehicle display that you wish to pair with. This process is the same for both the driver and passenger displays.



OPERATIONS

STEP 5:

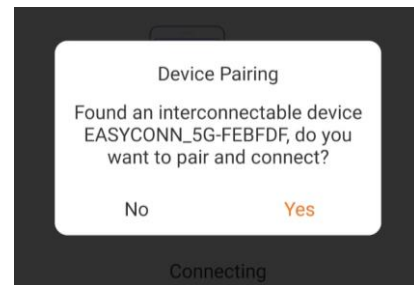
Allow your location to be accessed, and select **“Connect”** to join the wireless land area network (WLAN).



STEP 6:

Once the device has been found, you will be prompted to pair and connect. Your interconnectable device name will be: **“EASYCONN_5G-XXXXXX”**

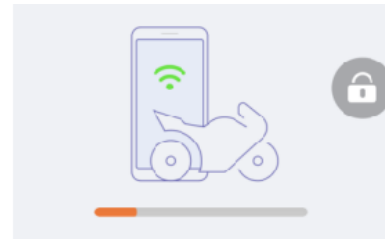
Select **“Yes”**



STEP 7:

Allow the device to connect.

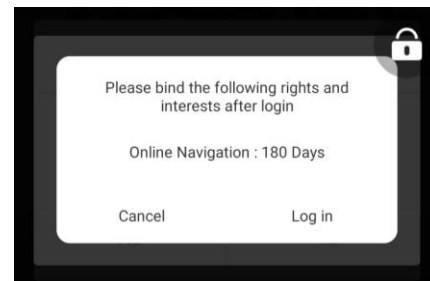
NOTE: Do not disconnect the power.



STEP 8:

The option for **“Online Navigation”** will be prompted.

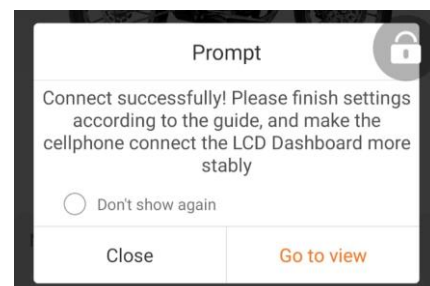
Select **“Log In”** to accept the terms and conditions.



STEP 9:

Your device should now be paired successfully.

Additional settings may be adjusted according to the guide by selecting **“Go to view”** if a more stable connection is required.



3.0 OPERATION

3.1 START UP PROCEDURE

STARTING UP

CAUTION

Start the engine only in an open and well-ventilated area. Carbon monoxide is colorless, odorless and is emitted from the engine and can cause fatality in areas with poor ventilation.

Never start the vehicle or operate the gear selector unless seated in the driver's seat with seat belt fastened.

The driver and all passengers must wear seat belts from vehicle start-up and throughout operation until after the vehicle is stopped, secured, and turned off.

1. Always make certain the vehicle is in an open and well-ventilated area.
2. Always make certain the transmission is in the "P" (PARK) position.
3. Choose the key you want for the preferred performance mode.
4. Ensure the key is within 2 ft. of the start button.
 - a. Press the unlock button on the key fab to pair that specific key to the vehicle.
 - b. Store the other keys separately somewhere secure and out of range.
 - c. If the key is not in proximity, the vehicle will not power on.
5. Press the Power button (lower left side of the steering wheel) to turn **ON** the power.
6. Always allow the dash to fully boot up.
7. Apply pressure to the brake pedal.
8. Press the Power button (with pressure on the brake pedal) to turn **ON** the vehicle.

IMPORTANT

Engine RPM must be below **1400 RPM** to shift.

Water temperature needs to be above **170°F (77°C)**, otherwise, power is reduced.

Oil temperature needs to be above **170°F (77°C)**, otherwise, power is reduced.

NOTICE

Car will run in reduced power mode if the vehicle is not operating above these temperatures.

OPERATIONS

SHUTTING DOWN

1. Always make certain the vehicle is level and on a flat surface.
2. Always make certain the transmission is in the “P” (PARK) position.
3. Remove pressure from the brake pedal.
4. Press the power button (lower left side of the steering wheel) to turn **OFF** the power.



CAUTION

Always park on a flat surface. To avoid locking the transmission gears, the vehicle should not be parked on a hill or incline larger than 5 degrees.

If you do find yourself stuck on an incline in park, have the operator cover the brake while an outside assistant rocks the tires to disengage the parking pawl and shift into gear.

3.2 VEHICLE BREAK-IN PERIOD

The initial vehicle break-in period for your new Speed UTV allows you to test vehicle systems and ensure that it is operating safely and reliably. This period typically involves breaking in the engine, testing the brakes, and getting a feel for the handling and performance of the vehicle. The recommended break-in period is for the first 48 hours of operation, or the time it takes to deplete the first two full tanks of fuel. During this period, avoid high speeds, aggressive acceleration, or braking, and carrying or towing heavy loads.

By properly testing the systems and components of the vehicle during the initial driving period, potential issues can be identified and addressed before they become larger, more costly problems. This can help to ensure that the vehicle operates safely and reliably for years to come.

BREAK-IN: ENVIRONMENTAL

The vehicle requires varying break-in procedures depending on the type of terrain and environmental conditions. Before starting the break-in period of your vehicle, select a safe location that complies with all of the laws and regulations of the state in which the vehicle will be operating in. Follow the general guidelines listed below:

ROAD PAVEMENT



Recommended to drive at slower speeds during the first 50 miles (80 km) of operation. Ensure that the vehicle is not overloaded, avoid both aggressive throttling and braking.

DESERT / SAND DUNES



Recommended to drive in second gear for the first 25 miles (40 km) of operation. Ensure that the vehicle is not overloaded, avoid both aggressive throttling and braking.

ROCK CRAWLING



Recommended to drive in first gear for the first 25 miles (40 km) of operation. Ensure that the vehicle is not overloaded, avoid both aggressive throttling and braking.

CLAY / MUD BOGGING



Recommended to drive in first gear for the first 25 miles (40 km) of operation. Ensure that the vehicle is not overloaded, avoid both aggressive throttling and braking.

BREAK-IN: ENGINE & DRIVETRAIN

The purpose of breaking-in the engine and drivetrain is to ensure they operate at the required level of performance and safety standards according to Speed UTV. Breaking-in the engine and drivetrain helps identify any potential anomalies or irregularities that need to be addressed.

- Conduct a visual inspection of the vehicle.
- Inspect all engine lines and fittings for any leaks or loose connections.
- Inspect the oil tank fill level according to the Oil Check section outlined in this manual and add recommended oil as required.
- Ensure the fuel tank is full of the recommended fuel, and make sure to exercise caution whenever handling gasoline.
- Follow the pre-operation checks outlined in this manual.
- Allow the vehicle to warm up to operating temperatures.
- Avoid hard decelerations and braking.
- Apply varying levels of pressure on the throttle pedal across a range of throttle pedal positions.
- Avoid operating at a sustained idle.
- Monitor the read-out values of fluid temperatures on the dash.
- Periodically inspect the fluid levels.
 - Oil Tank
 - Front Transmission Case
 - Rear Transmission Case
 - Coolant Levels
- Conduct a standard oil and filter change after completing the break-in period.

BREAK-IN: BRAKE SYSTEM

The purpose of breaking-in the brake system is to ensure that all brakes are functioning safely and effectively. It is imperative that the operator ensures that brake fluid levels and brake pad conditions are monitored as they directly impact brake pedal pressure, brake system response time, and braking function. The brake system is a critical component of the vehicle's safety, and any failure or malfunctions experienced during the break-in period must be addressed.

- Conduct a visual inspection of the brake pads, rotors, and brake lines.
- Check that the brake fluid reservoir is full.
- Apply moderate braking force for the first 30 to 60 stops.
- Apply more aggressive braking force for the next 30 to 60 stops.
- Avoid overly aggressive or excessive pressure on the brake pedal as it may damage the system.



CAUTION

Without the proper amount of brake fluid in the brake fluid reservoir, the vehicle will enter into a limp mode. This limp mode will limit the vehicle's operations and the maximum speed will be limited to 15 mph.

BREAK-IN: CVT (CLUTCHES & BELT)

The purpose of breaking-in the clutches and the drive belt is to extend their lifespan and ensure they function as designed. Cold temperatures directly affect material properties of the drive belt which effectively has a negative impact on the performance of the CVT system.

- Ensure the power to the vehicle is turned OFF.
- Remove the CVT front cover (refer to Section 4.11 for details).
- Conduct a visual inspection of the primary and secondary clutches.
- Ensure there is no dirt, mud, gravel, rocks, or debris in the sheaves, around the clutches, or inside the clutch cover.
- Reinstall the CVT front cover.
- Turn ON the power.
- Proceed to drive the vehicle at a conservative pace.
- Run the drive belt through three (3) separate heat cycles:
 1. Bring the drive belt temperature up to **160°F (70°C)**
 2. Allow it to cool back down to about **90°F (32°C)**
 3. Repeat steps 1-2
- Once the drive belt has successfully completed 3 heat cycles, the clutches will also be broken in.

OPERATIONS

3.3 PRE-RIDE ASSESSMENT

It is crucial to review, assess, and verify that the vehicle is safe to operate. The following list can be used as a guideline to inspect the vehicle before each ride.

SYSTEM	ITEM	REMARKS	
BRAKES	Brake Pedal	Ensure proper operation	<input type="checkbox"/>
BRAKES	Brake Fluid	Ensure filled to proper level	<input type="checkbox"/>
SUSPENSION	Suspension, Front	Inspect, lubricate as necessary	<input type="checkbox"/>
SUSPENSION	Suspension, Rear	Inspect, lubricate as necessary	<input type="checkbox"/>
STEERING	Steering	Inspect alignment & free operation	<input type="checkbox"/>
TIRES & WHEELS	Wheels	Inspect condition & pressure	<input type="checkbox"/>
TIRES & WHEELS	Tires	Inspect all lug nuts are torqued as necessary	<input type="checkbox"/>
FUEL SYSTEM	Fuel system	Ensure filled to proper level	<input type="checkbox"/>
RADIATOR	Cooling system	Ensure filled to proper level	<input type="checkbox"/>
CONTROLS	Throttle pedal	Ensure proper operation	<input type="checkbox"/>
LIGHTING	Headlights	Check operation	<input type="checkbox"/>
LIGHTING	Taillights	Check operation	<input type="checkbox"/>
DRIVETRAIN	CVT	Inspect, clean & replace belt as necessary	<input type="checkbox"/>
SAFETY	Seat belts	Check for tear, wear, and damage, replace as necessary	<input type="checkbox"/>
SAFETY	Seat belt latches	Check for tear, wear, and damage, clean as necessary and ensure all function properly.	<input type="checkbox"/>
BODY	Body latches	Check doors & latches for wear and damage, ensure all latches are securely closed before operating.	<input type="checkbox"/>

3.4 NEW OPERATING INSTRUCTIONS

The following instructions serve as a reference and reminder for safe operational practices.

IMPORTANT

Free online training is available on the Recreational Off-Highway Vehicle Association® web site (rohva.org).

1. Read and understand the owner's manual and all warnings and procedures before operating your Speed UTV vehicle.
2. Do not allow anyone under 16 years of age or without a valid driver's license to operate this vehicle.
3. Follow and conduct the pre-ride assessment checklist.
4. Ensure all vehicle occupants wear the appropriate personal protective equipment at all times.
5. Do not carry cargo while learning how to operate the vehicle.
6. Choose a wide-open area that enables extra space for braking and never start the engine or let it run in an enclosed area.
7. Drive in a manner appropriate for your skills and operating conditions. Never operate at excessive speeds. Never attempt wheelies, jumps, or other stunts. Keep both hands on the steering wheel during operation.
8. Never consume alcohol or drugs before or while operating the vehicle.
9. Always use the size and type of tires specified for your vehicle. Always maintain proper tire pressure.
10. Never operate a damaged vehicle. After any rollover or accident, have a qualified service dealer inspect the entire machine for possible damage.
11. Never operate the vehicle on a frozen body of water unless you have first verified that the ice is sufficiently thick to support the weight and moving force of the vehicle, you and any passengers, and your cargo, together with any other vehicles in your party.
12. Do not touch hot exhaust system components. Always keep combustible materials away from the exhaust system.
13. Always remove the ignition key when the vehicle is not in use to prevent unauthorized use.

3.5 TRANSPORTING

Transporting the vehicle safely and securely requires careful planning and the use of appropriate equipment.

Choose the Right Trailer:

Ensure that the trailer you use is suitable for transporting the vehicle. It should be sturdy, properly sized, and equipped with ramps or a loading system that can safely accommodate the vehicle's weight and dimensions.

Securing the Vehicle:

Use high-quality straps, tie-downs, or ratchet straps to secure the vehicle to the trailer. Attach the straps to secure points on the vehicle, such as the front lower control arms, the rear trailing arms. Ensure the straps are tight and properly tensioned.

Distribute the Weight:

Position the vehicle properly on the trailer to distribute weight evenly. This helps maintain balance and stability during transportation. Refer to your trailer's weight capacity guidelines and consult the vehicle's owner manual for specific weight distribution recommendations.

Protect Vulnerable Areas:

Use protective covers or padding to safeguard vulnerable parts of the vehicle during transportation. This can help prevent scratches, dings, or damage caused by road debris or vibrations.

Secure Loose Items:

Remove any loose items, such as tools, accessories, or removable parts, from the vehicle and store them securely.

Check Trailer Hitch and Lights:

Ensure that your trailer's hitch is securely attached to the towing vehicle and that all trailer lights are functioning correctly. Proper lighting and a secure connection are essential for safe transportation.

Drive with Caution:

When towing the vehicle, drive cautiously, maintaining a safe speed and following all traffic laws. Be mindful of the increased length and weight of your vehicle combination, allowing for extra braking distance and maneuvering space.

Regularly Inspect the Tie-Downs:

During rest stops or at regular intervals, check the tie-downs and straps to ensure they remain tight and secure. Make any necessary adjustments or re-tighten as needed.

4.0 MAINTENANCE

4.1 PREVENTATIVE MAINTENANCE

Preventative maintenance plays a crucial role in maintaining the performance, longevity, and safety of various systems and components of the vehicle. By implementing regular inspections, cleaning, and repairs before any major issues arise, preventative maintenance helps to identify and address potential problems early on.

PERIODIC MAINTENANCE SCHEDULE

By establishing a structured and regular maintenance schedule, organizations can ensure that necessary inspections, servicing, and repairs are conducted at appropriate intervals. This proactive approach allows for timely identification and resolution of potential issues, preventing costly breakdowns and minimizing downtime and maximizing safe use and operation.

IMPORTANT

Always record maintenance and services in the Maintenance Log at the end of this manual. Maintaining an accurate record of any work done on the vehicle outside of a certified Speed Service Center will provide the best reference to effectively service the vehicle in the future.

The following schedule outlines the maintenance intervals based on standard vehicle operation. Every vehicle will be subjected to different operating conditions, and some items or components may require servicing more frequently.

CAUTION

Under harsh riding condition, the intervals listed below should be conducted at half the scheduled maintenance mileage.

M A I N T E N A N C E

50 MILES (80 KILOMETERS)	
Tires & Wheels	Check all the lug nuts on each of the tires. Re-torque if necessary.

250 MILES (400 KILOMETERS)	
Battery	Check the positive and negative terminal connections. Clean if necessary.
Chassis	Check the frame hardware and roll cage bolts. Retorque if necessary.
CVT	Check the primary and secondary sheeves for debris and wear. Clean if necessary.
CVT	Check the CVT belt for wear and tear. Replace if necessary.
Engine	Change the engine oil and primary oil filter on tank.
Exhaust System	Check for loose hardware and tighten clamps. Retorque if necessary.
Fuel System	Power on the vehicle, check the plumbing lines & fittings for leaks, cuts, tears, abrasions, and loose connections. Replace if necessary.
Plumbing	Power on the vehicle, check the plumbing lines & fittings for leaks, cuts, tears, abrasions, and loose connections. Replace if necessary.
Suspension	Check all pivots for play, replace if movement is excessive. Inspect jam-nuts, tighten if necessary.

M A I N T E N A N C E

500 MILES (800 KILOMETERS)	
Battery	Check the positive and negative terminal connections. Clean if necessary.
Brakes	Check the thickness of the brake pads and replace if necessary.
CVT	Check the inner surfaces of the primary and secondary sheeves for debris and wear. Clean if necessary.
Differential, Front	Check the level and condition of the front differential oil. Change if necessary.
Differential, Rear	Check the level and condition of the rear differential oil. Change if necessary.
Engine Air Filter	Check, clean, and replace if necessary.
Fuel System	Power on the vehicle, check the plumbing lines & fittings for leaks, cuts, tears, abrasions, and loose connections. Replace if necessary.
Motor Mounts	Check for wear and replace if necessary
CV Axles	Grease CV joints at full droop (4 oz syringe).
Suspension	Check all pivots for play, replace if necessary. Inspect jam-nuts, tighten if necessary.
Steering	Check the tie rods & steering shaft for play, replace if necessary. Inspect power steering lines & fittings and fluid levels.
Spark Arrestor	Inspect and replace if necessary.
Tires & Wheels	Rotate the tires and retorque the wheel lugs. Inspect beadlock bolts and re-torque if necessary.

M A I N T E N A N C E

750 MILES (1200 KILOMETERS)	
Battery	Inspect terminal connections, clean if necessary.
Clutches	Inspect primary and secondary sheeves for wear. Inspect CVT belt for wear and tear, replace if necessary.
Fuel System	Power on vehicle, inspect plumbing lines & fittings for leaks, cuts, tears, abrasions, and loose connections.

1,000 MILES (1,600 KILOMETERS)	
Alignment – Front	Check camber, toe, and adjust parts if necessary.
Alignment – Rear	Check axle plunge at droop.
Battery	Inspect terminal connections, clean if necessary.
Blow Off-Valve	Remove, disassemble, inspect, reapply grease, and reinstall.
Brakes	Inspect brake pads and replace if worn.
Brake Fluid	Replace brake fluid. Check brake lines, fittings, and hose clamps.
Cooling System	Check fluid level, refill if necessary. Inspect lines, fittings, and pump for leaks, abrasion, wear and tear.
Clutches	Inspect primary and secondary sheeves for wear. Remove for thorough inspection & service.
Engine Air Filter	Inspect, clean, and replace if necessary.

M A I N T E N A N C E

Electrical	Inspect wiring harnesses for cuts, abrasion, wear and tear. Check that the wiring harness is securely attached.
Fuel System	Power on vehicle, inspect plumbing lines & fittings for leaks, cuts, tears, abrasions, and loose connections.
Motor Mounts	Inspect for wear and replace if necessary.
Rear CV Axles	Grease CV joints at full droop (4 oz syringe).
Suspension	Inspect all pivots for play, replace if necessary. Inspect jam-nuts, tighten if necessary.
Steering	Inspect tie rods & steering shaft for play, replace if necessary. Inspect power steering lines & fittings and fluid levels.
Spark Arrestor	Inspect and replace if necessary.
Tires & Wheels	Rotate the tires and retorque the wheel lugs. Inspect beadlock bolts and re-torque if necessary.
Turbo & Charge Tubes	Inspect lines and fittings for leaks, abrasion, wear and tear. Inspect all charge tubes for cuts, abrasions, wear and tear. Check all hose clamps and tighten if necessary.

1,250 MILES (2,000 KILOMETERS)

Battery	Inspect terminal connections, clean if necessary.
Clutches	Inspect primary and secondary sheeves for wear. Inspect CVT belt for wear and tear, replace if necessary.
Fuel System	Power on vehicle, inspect plumbing lines & fittings for leaks, cuts, tears, abrasions, and loose connections.

M A I N T E N A N C E

1,500 MILES (2,400 KILOMETERS)	
Battery	Check the positive and negative terminal connections. Clean if necessary.
Brakes	Check the thickness of the brake pads and replace if necessary.
CVT	Check the inner surfaces of the primary and secondary sheeves for debris and wear. Clean if necessary.
Differential, Front	Check the level and condition of the front differential oil. Change if necessary.
Differential, Rear	Check the level and condition of the rear differential oil. Change if necessary.
Engine Air Filter	Check, clean, and replace if necessary.
Fuel System	Power on the vehicle, check the plumbing lines & fittings for leaks, cuts, tears, abrasions, and loose connections. Replace if necessary.
Motor Mounts	Check for wear and replace if necessary.
CV Axles	Grease CV joints at full droop (4 oz syringe).
Suspension	Check all pivots for play, replace if necessary. Inspect jam-nuts, tighten if necessary.
Steering	Check the tie rods & steering shaft for play, replace if necessary. Inspect power steering lines & fittings and fluid levels.
Spark Arrestor	Inspect and replace if necessary.
Tires & Wheels	Rotate the tires and retorque the wheel lugs. Inspect beadlock bolts and re-torque if necessary.

M A I N T E N A N C E

1,750 MILES (2,800 KILOMETERS)	
Battery	Inspect terminal connections, clean if necessary.
Clutches	Inspect primary and secondary sheeves for wear. Inspect CVT belt for wear and tear, replace if necessary.
Fuel System	Power on vehicle, inspect plumbing lines & fittings for leaks, cuts, tears, abrasions, and loose connections.

2,000 MILES (3,200 KILOMETERS)	
Alignment – Front	Check camber, toe, and adjust parts if necessary.
Alignment – Rear	Check axle plunge at droop, target is ~0.25”.
Battery	Inspect terminal connections, clean if necessary.
Blow Off-Valve	Remove, disassemble, inspect, reapply grease, and reinstall.
Brakes	Inspect brake pads and replace if worn.
Brake Fluid	Replace brake fluid. Check brake lines, fittings, and hose clamps.
Cooling System	Check fluid level, refill as necessary. Inspect lines, fittings, and pump for leaks, abrasion, wear and tear.
Clutches	Inspect primary and secondary sheeves for wear. Remove for thorough inspection & service.
Engine Air Filter	Inspect, clean, and replace if necessary.

M A I N T E N A N C E

Electrical	Inspect wiring harnesses for cuts, abrasion, wear and tear. Check that the wiring harness is securely attached.
Fuel System	Power on vehicle, inspect plumbing lines & fittings for leaks, cuts, tears, abrasions, and loose connections.
Motor Mounts	Inspect for wear and replace if necessary.
Rear CV Axles	Grease CV joints at full droop (4 oz syringe).
Suspension	Inspect all pivots for play, replace if necessary. Inspect jam-nuts, tighten if necessary.
Steering	Inspect tie rods & steering shaft for play, replace if necessary. Inspect power steering lines & fittings and fluid levels.
Spark Arrestor	Inspect and replace if necessary.
Tires & Wheels	Rotate the tires and retorque the wheel lugs. Inspect beadlock bolts and re-torque if necessary.
Turbo & Charge Tubes	Inspect lines and fittings for leaks, abrasion, wear and tear. Inspect all charge tubes for cuts, abrasions, wear and tear. Check all hose clamps and tighten if necessary.

M A I N T E N A N C E

2,250 MILES (3,600 KILOMETERS)	
Battery	Inspect terminal connections, clean if necessary.
Clutches	Inspect primary and secondary sheeves for wear. Inspect CVT belt for wear and tear, replace if necessary.
Fuel System	Power on vehicle, inspect plumbing lines & fittings for leaks, cuts, tears, abrasions, and loose connections.

2,500 MILES (4,000 KILOMETERS)	
Battery	Check the positive and negative terminal connections. Clean if necessary.
Brakes	Check the thickness of the brake pads and replace if necessary.
CVT	Check the inner surfaces of the primary and secondary sheeves for debris and wear. Clean if necessary.
Differential, Front	Check the level and condition of the front differential oil. Change if necessary.
Differential, Rear	Check the level and condition of the rear differential oil. Change if necessary.
Engine Air Filter	Check, clean, and replace if necessary.
Fuel System	Power on the vehicle, check the plumbing lines & fittings for leaks, cuts, tears, abrasions, and loose connections. Replace if necessary.
Motor Mounts	Check for wear and replace if necessary.
CV Axles	Grease CV joints at full droop (4 oz syringe).

M A I N T E N A N C E

Suspension	Check all pivots for play, replace if necessary. Inspect jam-nuts, tighten if necessary.
Steering	Check the tie rods & steering shaft for play, replace if necessary. Inspect power steering lines & fittings and fluid levels.
Spark Arrestor	Inspect and replace if necessary.
Tires & Wheels	Rotate the tires and retorque the wheel lugs. Inspect beadlock bolts and re-torque if necessary.

2,750 MILES (4,400 KILOMETERS)

Battery	Inspect terminal connections, clean if necessary.
Clutches	Inspect primary and secondary sheeves for wear. Inspect CVT belt for wear and tear, replace if necessary.
Fuel System	Power on vehicle, inspect plumbing lines & fittings for leaks, cuts, tears, abrasions, and loose connections.

3,000 MILES (4,800 KILOMETERS)

Alignment – Front	Check camber, toe, and adjust parts if necessary.
Alignment – Rear	Check axle plunge at droop, target is ~0.25".
Battery	Inspect terminal connections, clean if necessary.
Blow Off-Valve	Remove, disassemble, inspect, reapply grease, and reinstall.
Brakes	Inspect brake pads and replace if worn.

M A I N T E N A N C E

Brake Fluid	Replace brake fluid. Check brake lines, fittings, and hose clamps.
Cooling System	Check fluid level, refill as necessary. Inspect lines, fittings, and pump for leaks, abrasion, wear and tear.
Clutches	Inspect primary and secondary sheeves for wear. Remove for thorough inspection & service.
Engine Air Filter	Inspect, clean, and replace if necessary.
Electrical	Inspect wiring harnesses for cuts, abrasion, wear and tear. Check that the wiring harness is securely attached.
Fuel System	Power on vehicle, inspect plumbing lines & fittings for leaks, cuts, tears, abrasions, and loose connections.
Motor Mounts	Inspect for wear and replace if necessary.
Rear CV Axles	Grease CV joints at full droop (4 oz syringe).
Suspension	Inspect all pivots for play, replace if necessary. Inspect jam-nuts, tighten if necessary.
Steering	Inspect tie rods & steering shaft for play, replace if necessary. Inspect power steering lines & fittings and fluid levels.
Spark Arrestor	Inspect and replace if necessary.
Tires & Wheels	Rotate the tires and retorque the wheel lugs. Inspect beadlock bolts and re-torque if necessary.
Turbo & Charge Tubes	Inspect lines and fittings for leaks, abrasion, wear and tear. Inspect all charge tubes for cuts, abrasions, wear and tear. Check all hose clamps and tighten if necessary.

M A I N T E N A N C E

3,250 MILES (5,200 KILOMETERS)	
Battery	Inspect terminal connections, clean if necessary.
Clutches	Inspect primary and secondary sheeves for wear. Inspect CVT belt for wear and tear, replace if necessary.
Fuel System	Power on vehicle, inspect plumbing lines & fittings for leaks, cuts, tears, abrasions, and loose connections.

3,500 MILES (5,600 KILOMETERS)	
Battery	Check the positive and negative terminal connections. Clean if necessary.
Brakes	Check the thickness of the brake pads and replace if necessary.
CVT	Check the inner surfaces of the primary and secondary sheeves for debris and wear. Clean if necessary.
Differential, Front	Check the level and condition of the front differential oil. Change if necessary.
Differential, Rear	Check the level and condition of the rear differential oil. Change if necessary.
Engine Air Filter	Check, clean, and replace if necessary.
Fuel System	Power on the vehicle, check the plumbing lines & fittings for leaks, cuts, tears, abrasions, and loose connections. Replace if necessary.
Motor Mounts	Check for wear and replace if necessary.
CV Axles	Grease CV joints at full droop (4 oz syringe).

M A I N T E N A N C E

Suspension	Check all pivots for play, replace if necessary. Inspect jam-nuts, tighten if necessary.
Steering	Check the tie rods & steering shaft for play, replace if necessary. Inspect power steering lines & fittings and fluid levels.
Spark Arrestor	Inspect and replace if necessary.
Tires & Wheels	Rotate the tires and retorque the wheel lugs. Inspect beadlock bolts and re-torque if necessary.

3,750 MILES (6,000 KILOMETERS)

Battery	Inspect terminal connections, clean if necessary.
Clutches	Inspect primary and secondary sheeves for wear. Inspect CVT belt for wear and tear, replace if necessary.
Fuel System	Power on vehicle, inspect plumbing lines & fittings for leaks, cuts, tears, abrasions, and loose connections.

4,000 MILES (6,400 KILOMETERS)

Alignment – Front	Check camber, toe, and adjust parts if necessary.
Alignment – Rear	Check axle plunge at droop, target is ~0.25".
Battery	Inspect terminal connections, clean if necessary.
Blow Off-Valve	Remove, disassemble, inspect, reapply grease, and reinstall.
Brakes	Inspect brake pads and replace if worn.

M A I N T E N A N C E

Brake Fluid	Replace brake fluid. Check brake lines, fittings, and hose clamps.
Cooling System	Check fluid level, refill as necessary. Inspect lines, fittings, and pump for leaks, abrasion, wear and tear.
Clutches	Inspect primary and secondary sheeves for wear. Remove for thorough inspection & service.
Engine Air Filter	Inspect, clean, and replace if necessary.
Electrical	Inspect wiring harnesses for cuts, abrasion, wear and tear. Check that the wiring harness is securely attached.
Fuel System	Power on vehicle, inspect plumbing lines & fittings for leaks, cuts, tears, abrasions, and loose connections.
Motor Mounts	Inspect for wear and replace if necessary.
Rear CV Axles	Grease CV joints at full droop (4 oz syringe).
Suspension	Inspect all pivots for play, replace if necessary. Inspect jam-nuts, tighten if necessary.
Steering	Inspect tie rods & steering shaft for play, replace if necessary. Inspect power steering lines & fittings and fluid levels.
Spark Arrestor	Inspect and replace if necessary.
Tires & Wheels	Rotate the tires and retorque the wheel lugs. Inspect beadlock bolts and re-torque if necessary.
Turbo & Charge Tubes	Inspect lines and fittings for leaks, abrasion, wear and tear. Inspect all charge tubes for cuts, abrasions, wear and tear. Check all hose clamps and tighten if necessary.

M A I N T E N A N C E

4,250 MILES (6,800 KILOMETERS)	
Battery	Inspect terminal connections, clean if necessary.
Clutches	Inspect primary and secondary sheeves for wear. Inspect CVT belt for wear and tear, replace if necessary.
Fuel System	Power on vehicle, inspect plumbing lines & fittings for leaks, cuts, tears, abrasions, and loose connections.

4,500 MILES (7,200 KILOMETERS)	
Battery	Check the positive and negative terminal connections. Clean if necessary.
Brakes	Check the thickness of the brake pads and replace if necessary.
CVT	Check the inner surfaces of the primary and secondary sheeves for debris and wear. Clean if necessary.
Differential, Front	Check the level and condition of the front differential oil. Change if necessary.
Differential, Rear	Check the level and condition of the rear differential oil. Change if necessary.
Engine Air Filter	Check, clean, and replace if necessary.
Fuel System	Power on the vehicle, check the plumbing lines & fittings for leaks, cuts, tears, abrasions, and loose connections. Replace if necessary.
Motor Mounts	Check for wear and replace if necessary.
CV Axles	Grease CV joints at full droop (4 oz syringe).

M A I N T E N A N C E

Suspension	Check all pivots for play, replace if necessary. Inspect jam-nuts, tighten if necessary.
Steering	Check the tie rods & steering shaft for play, replace if necessary. Inspect power steering lines & fittings and fluid levels.
Spark Arrestor	Inspect and replace if necessary.
Tires & Wheels	Rotate the tires and retorque the wheel lugs. Inspect beadlock bolts and re-torque if necessary.

4,750 MILES (7,600 KILOMETERS)

Battery	Inspect terminal connections, clean if necessary.
Clutches	Inspect primary and secondary sheeves for wear. Inspect CVT belt for wear and tear, replace if necessary.
Fuel System	Power on vehicle, inspect plumbing lines & fittings for leaks, cuts, tears, abrasions, and loose connections.

5,000 MILES (8,000 KILOMETERS)

Alignment – Front	Check camber, toe, and adjust parts if necessary.
Alignment – Rear	Check axle plunge at droop, target is ~0.25".
Battery	Inspect terminal connections, clean if necessary.
Blow Off-Valve	Remove, disassemble, inspect, reapply grease, and reinstall.
Brakes	Inspect brake pads and replace if worn.

M A I N T E N A N C E

Brake Fluid	Replace brake fluid. Check brake lines, fittings, and hose clamps.
Cooling System	Check fluid level, refill as necessary. Inspect lines, fittings, and pump for leaks, abrasion, wear and tear.
Clutches	Inspect primary and secondary sheeves for wear. Remove for thorough inspection & service.
Engine Air Filter	Inspect, clean, and replace if necessary.
Electrical	Inspect wiring harnesses for cuts, abrasion, wear and tear. Check that the wiring harness is securely attached.
Fuel System	Power on vehicle, inspect plumbing lines & fittings for leaks, cuts, tears, abrasions, and loose connections.
Motor Mounts	Inspect for wear and replace if necessary.
Rear CV Axles	Grease CV joints at full droop (4 oz syringe).
Suspension	Inspect all pivots for play, replace if necessary. Inspect jam-nuts, tighten if necessary.
Steering	Inspect tie rods & steering shaft for play, replace if necessary. Inspect power steering lines & fittings and fluid levels.
Spark Arrestor	Inspect and replace if necessary.
Tires & Wheels	Rotate the tires and retorque the wheel lugs. Inspect beadlock bolts and re-torque if necessary.
Turbo & Charge Tubes	Inspect lines and fittings for leaks, abrasion, wear and tear. Inspect all charge tubes for cuts, abrasions, wear and tear. Check all hose clamps and tighten if necessary.

M A I N T E N A N C E

5,250 MILES (8,400 KILOMETERS)	
Battery	Inspect terminal connections, clean if necessary.
Clutches	Inspect primary and secondary sheeves for wear. Inspect CVT belt for wear and tear, replace if necessary.
Fuel System	Power on vehicle, inspect plumbing lines & fittings for leaks, cuts, tears, abrasions, and loose connections.

5,500 MILES (8,800 KILOMETERS)	
Battery	Check the positive and negative terminal connections. Clean if necessary.
Brakes	Check the thickness of the brake pads and replace if necessary.
CVT	Check the inner surfaces of the primary and secondary sheeves for debris and wear. Clean if necessary.
Differential, Front	Check the level and condition of the front differential oil. Change if necessary.
Differential, Rear	Check the level and condition of the rear differential oil. Change if necessary.
Engine Air Filter	Check, clean, and replace if necessary.
Fuel System	Power on the vehicle, check the plumbing lines & fittings for leaks, cuts, tears, abrasions, and loose connections. Replace if necessary.
Motor Mounts	Check for wear and replace if necessary.
CV Axles	Grease CV joints at full droop (4 oz syringe).

M A I N T E N A N C E

Suspension	Check all pivots for play, replace if necessary. Inspect jam-nuts, tighten if necessary.
Steering	Check the tie rods & steering shaft for play, replace if necessary. Inspect power steering lines & fittings and fluid levels.
Spark Arrestor	Inspect and replace if necessary.
Tires & Wheels	Rotate the tires and retorque the wheel lugs. Inspect beadlock bolts and re-torque if necessary.

5,750 MILES (9,200 KILOMETERS)

Battery	Inspect terminal connections, clean if necessary.
Clutches	Inspect primary and secondary sheeves for wear. Inspect CVT belt for wear and tear, replace if necessary.
Fuel System	Power on vehicle, inspect plumbing lines & fittings for leaks, cuts, tears, abrasions, and loose connections.

6,000 MILES (9,600 KILOMETERS)

Alignment – Front	Check camber, toe, and adjust parts if necessary.
Alignment – Rear	Check axle plunge at droop, target is ~0.25".
Battery	Inspect terminal connections, clean if necessary.
Blow Off-Valve	Remove, disassemble, inspect, reapply grease, and reinstall.
Brakes	Inspect brake pads and replace if worn.

M A I N T E N A N C E

Brake Fluid	Replace brake fluid. Check brake lines, fittings, and hose clamps.
Cooling System	Check fluid level, refill as necessary. Inspect lines, fittings, and pump for leaks, abrasion, wear and tear.
Clutches	Inspect primary and secondary sheeves for wear. Remove for thorough inspection & service.
Engine Air Filter	Inspect, clean, and replace if necessary.
Electrical	Inspect wiring harnesses for cuts, abrasion, wear and tear. Check that the wiring harness is securely attached.
Fuel System	Power on vehicle, inspect plumbing lines & fittings for leaks, cuts, tears, abrasions, and loose connections.
Motor Mounts	Inspect for wear and replace if necessary.
Rear CV Axles	Grease CV joints at full droop (4 oz syringe)
Suspension	Inspect all pivots for play, replace if necessary. Inspect jam-nuts, tighten if necessary.
Steering	Inspect tie rods & steering shaft for play, replace if necessary. Inspect power steering lines & fittings and fluid levels.
Spark Arrestor	Inspect and replace if necessary.
Tires & Wheels	Rotate the tires and retorque the wheel lugs. Inspect beadlock bolts and re-torque if necessary.
Turbo & Charge Tubes	Inspect lines and fittings for leaks, abrasion, wear and tear. Inspect all charge tubes for cuts, abrasions, wear and tear. Check all hose clamps and tighten if necessary.

MAINTENANCE

6,250 MILES (10,000 KILOMETERS)	
Battery	Inspect terminal connections, clean if necessary.
Clutches	Inspect primary and secondary sheaves for wear. Inspect CVT belt for wear and tear, replace if necessary.
Fuel System	Power on vehicle, inspect plumbing lines & fittings for leaks, cuts, tears, abrasions, and loose connections.

MAINTENANCE

4.2 LUBRICATION

All of the components that are subject to frequent wear should be lubricated using the recommended Speed UTV lubricants in the table below. The volumes listed for these lubricants are for a full system flush (filling a completely dry system), and as such are considered guidelines that may vary for standard servicing.

ITEM	RECOMMENDED LUBE	METHOD	VOLUME	
Engine Oil	VP, FULL SYNTHETIC	REFER TO SECTION 4.3	6.00 1.50 5.70	qt gal L
Brake Fluid	DOT 3 – Leisure Riding DOT 4 or 5.1 – Performance Riding	REFER TO SECTION 4.8	0.25 0.06 0.24	qt gal L
Transmission Front	SPEED UTV, FULL SYNTHETIC	REFER TO SECTION 4.4	1.06 0.26 1.00	qt gal L
Transmission Rear	SPEED UTV, FULL SYNTHETIC		1.85 0.46 1.75	qt gal L
Axles	1 part - NEO CV500 NLGI 1 part - BEL RAY MOLYLUBE	REFER TO SECTION 4.5	0.03 30 30	qt cc mL
Power Steering	SWEPCO 715 Hydraulic Oil	REFER TO SECTION 4.6	1.00 0.25 0.95	qt gal L

4.3 ENGINE

The engine has been developed using the recommended engine oil by Speed UTV. Using a different oil may change the frequency at which the oil needs to be changed. Follow the engine oil manufacturer's recommendation.

AMBIENT TEMPERATURE RANGE	RECOMMENDED OIL
-40°F to 60°F (-40°C to 16°C)	VP, FULL SYNTHETIC, 5W-40
0°F to 130°F (-18°C to 55°C)	VP, FULL SYNTHETIC, 15W-50

⚠ WARNING

Running the vehicle with an insufficient amount of oil will cause severe damage to the engine.

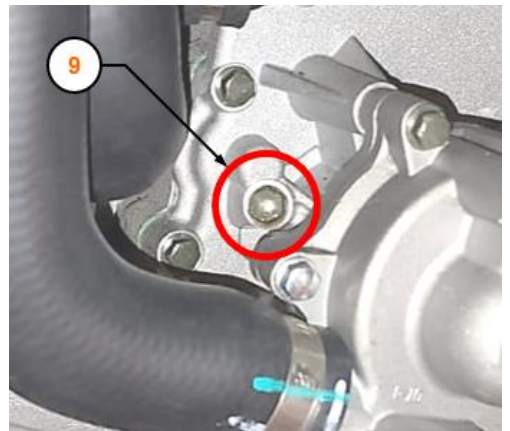
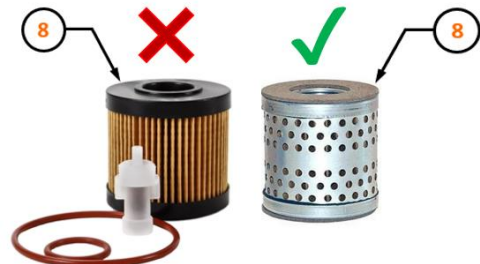
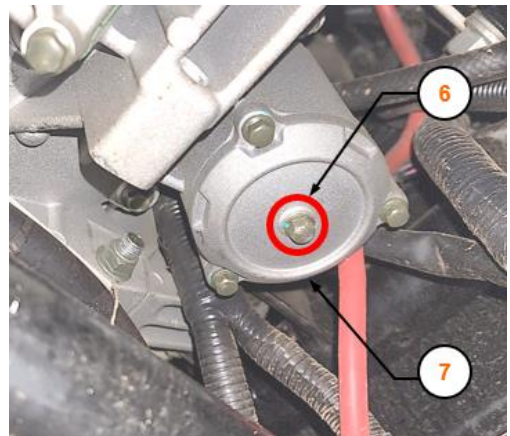
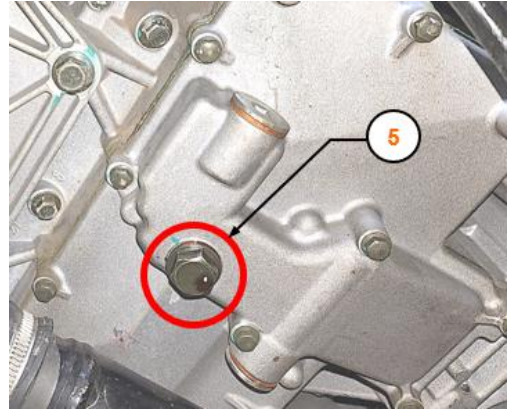
OIL CHANGE PROCEDURE

1. Ensure the vehicle is positioned level on a flat plane and stationary.
2. Clean and clear any dirt, sand or debris around the engine, oil tank and rear transmission.
3. Place clean containers underneath the oil tank and the motor oil pan.
4. Remove ① the drain plug from the oil tank.
 - Size: 17mm socket
5. Allow the used oil to drain.
6. Open ② the top of the oil tank.
7. Remove ③ the oil filter.
8. Allow the used oil to drain.
9. Replace ③ the oil filter.
 - Apply a small amount of new oil to the o-ring of the oil filter when installing.
10. Replace ① the drain plug.
 - Size: 17mm socket
 - Torque: 15 ft. lbs (20 Nm)
11. Remove Tail-cage Skid Plate.
 - Size: 8mm socket



MAINTENANCE

12. Remove ⑤ the drain plug from the oil pan on the motor.
 - Size: 17mm socket
13. Allow the used oil to drain.
14. Replace ⑤ the drain plug for the oil pan on the motor.
 - Size: 17mm socket
 - Torque: 15 ft. lbs (20 Nm)
15. Remove ⑥ the drain plug on the engine block oil filter housing cover.
 - Size: 8mm socket
16. Allow the used oil to drain.
17. Remove ⑦ the engine block oil filter housing cover by removing the three hex bolts.
 - Size: 8mm socket
18. Remove ⑧ the engine block cartridge filter.
 - If the cartridge is paper, replace it immediately with a steel cartridge.
 - If the cartridge is steel, ensure it is clean.
19. Reinstall ⑦ the engine block oil filter housing cover.
 - Size: 8 mm socket
 - Torque: 12 ft. lbs (16 Nm)
20. Reinstall ⑥ the drain plug on the engine block oil filter housing cover.
 - Size: 8 mm socket
 - Torque: 12 ft. lbs (16 Nm)
21. Add new oil into the system through the top of the oil tank.
22. Fill until oil is visible on the sight tube approximately 1.00" above the cold fill line.
23. Prime the oil pump by removing ⑨ the bleed screw.
 - Size: 8 mm socket
24. Allow oil to drain out of ⑨ the bleed screw hole until it stops bubbling.
25. Replace ⑨ the bleed screw.
 - Size: 8 mm socket
 - Torque: 12 ft. lbs (16 Nm)





NOTICE

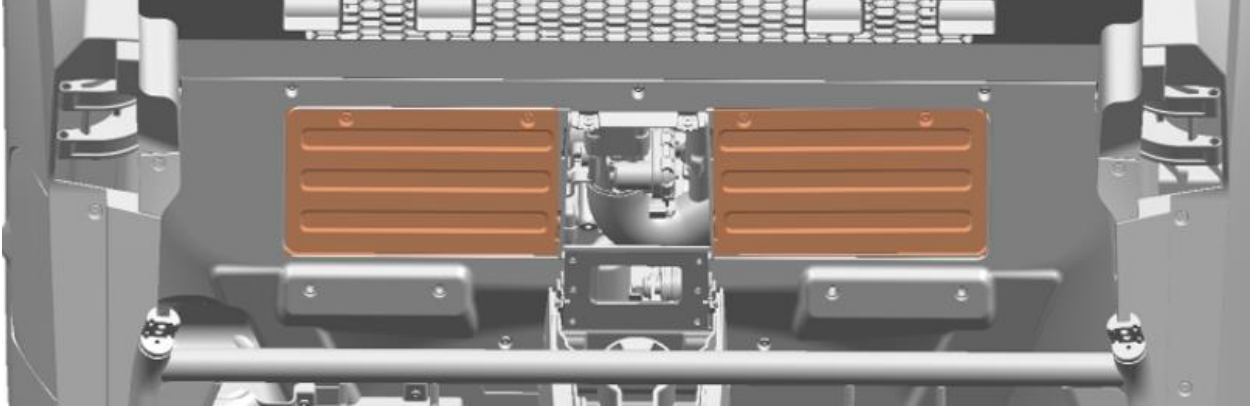
Slight positive pressure inside the system can speed up the oil priming process. This can be done by removing the spark plugs and turning the engine over until at least 10 psi (69 kPa) of oil pressure is built up. Make sure the spark plugs are reinstalled before starting up the engine.

26. Start the engine, the oil level will go down.
27. Add oil until the level is at the cold fill line.
28. Close the top of the oil tank.
29. Check for leaks.
30. Allow engine to reach operating temperature.
31. Inspect the oil level on the sight tube, it should be near the full hot line.
32. Check for leaks again.
33. Re install tail-cage skid plate.

MAINTENANCE

ENGINE ACCESS PANEL

The engine access panel is located behind the seats on the frame of the vehicle. Remove the seats and remove the access panels to reach the engine for servicing and maintenance.



4.4 TRANSMISSION OIL

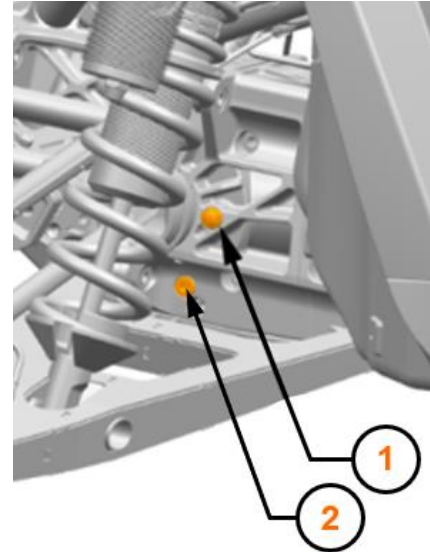
To maximize the longevity of the transmission, it is imperative to check and change the fluid at the intervals that have been outlined in the scheduling portion of this manual. The recommended lubricate type is Speed UTV, Full Synthetic, SAE 80W-250.

FRONT DIFFERENTIAL

CHECK

1. Ensure the vehicle is positioned level on a flat plane and stationery.
2. Remove ① the fill plug.
 - a. Size: 8mm allen
3. Check the fluid level:
Oil should be sitting on the bottom threads of the fill plug hole.
4. If fluid level is low, follow the change procedures of this section.
5. If fluid level is acceptable, reinstall ① fill plug.
 - a. Size: 8mm allen
 - b. Torque: 25 ft. lbs. (33 Nm)

DO NOT OVERTORQUE

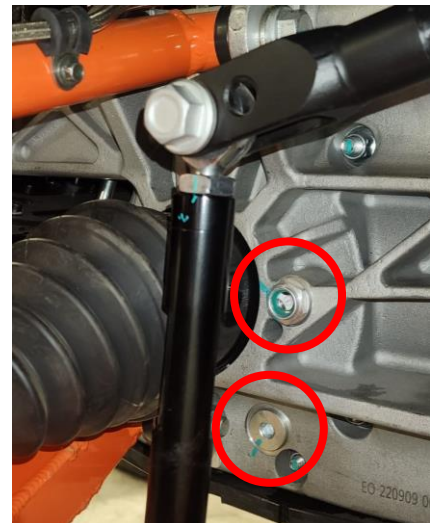


CHANGE

1. Ensure the vehicle is positioned level on a flat plane and stationery.
2. Place an oil drain pan underneath.
3. Remove ① the fill plug.
 - a. Size: 8mm allen
4. Remove ② the drain plug and allow the oil to drain completely.
 - a. Size: 8mm allen
5. Reinstall ② the drain plug.
 - a. Size: 8mm allen
 - b. Torque: 25 ft. lbs. (33 Nm)

DO NOT OVERTORQUE
6. Add the recommended fluid as necessary.
7. Reinstall ① the fill plug.
 - a. Size: 8mm allen
 - b. Torque: 25 ft. lbs. (33 Nm)

DO NOT OVERTORQUE
8. Check for leaks.

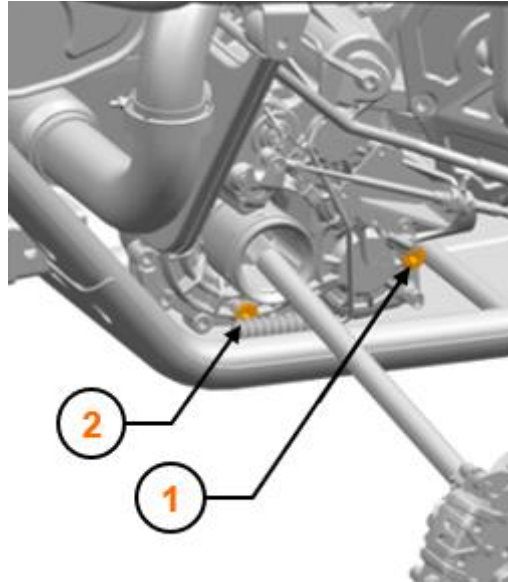


REAR DIFFERENTIAL

CHECK

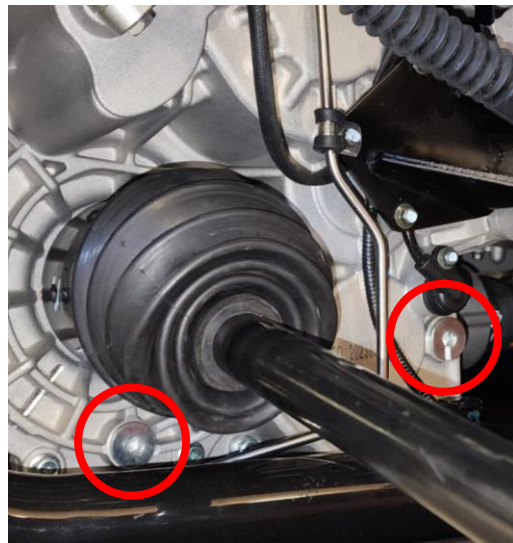
1. Ensure the vehicle is positioned level on a flat plane and stationary.
2. Remove ① the fill plug.
 - a. Size: 8mm allen
3. Check the fluid level:

Oil should be sitting on the bottom threads of the fill plug hole.
4. If fluid level is low, follow the change procedures of this section.
5. If fluid level is acceptable, reinstall ① the fill plug.
 - a. Size: 8mm allen
 - b. Torque: 25 ft. lbs. (33 Nm)
DO NOT OVERTORQUE



CHANGE

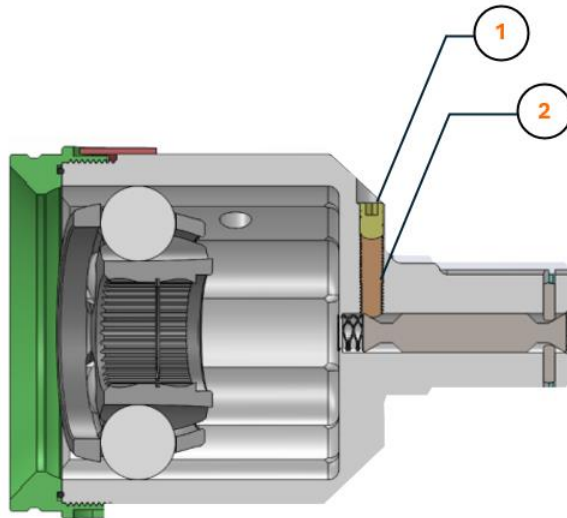
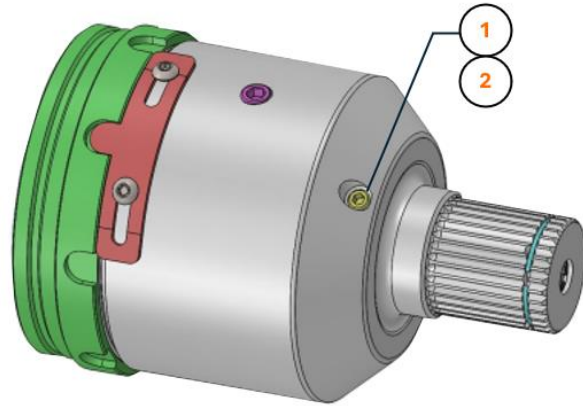
1. Ensure the vehicle is positioned level on a flat plane and stationary.
2. Place an oil drain pan underneath the rear gearbox.
3. Remove ① the fill plug located on the bottom right of the rear gearbox.
4. Remove ② the drain plug:
5. Allow the oil to drain.
6. Reinstall ② the drain plug.
 - a. Size: 8mm allen
 - b. Torque: 25 ft. lbs. (33 Nm)
DO NOT OVERTORQUE
7. Add the recommended fluid as necessary.
8. Reinstall ① the fill plug.
 - a. Size: 8mm allen
 - b. Torque: 25 ft. lbs. (33 Nm)
DO NOT OVERTORQUE
9. Check for leaks.



4.5 AXLES

CHANGING AN AXLE

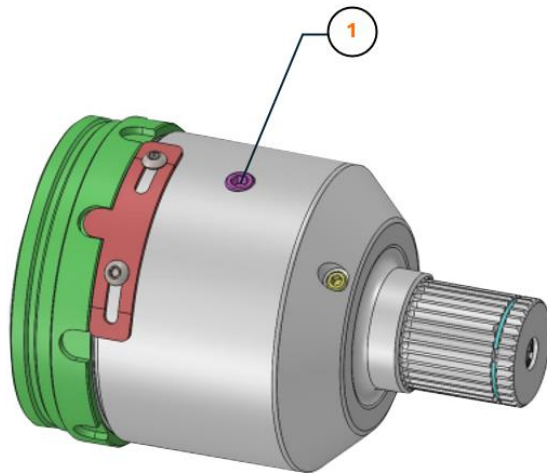
1. Ensure the vehicle is positioned level on a flat plane and stationary.
2. Wash and clean the vehicle, ensure all dirt, dust and grease is removed from axles.
3. Break loose lug nuts of the wheels with the axles that are being serviced.
 - Size: 19mm socket
4. Using a suitable jack, lift the vehicle until the tire(s) are off the ground and the suspension is fully drooped out (unloaded).
5. Put the vehicle into neutral.
6. Remove the wheel.
 - Size: 19mm socket
7. Remove brake calipers.
 - Size: 13mm socket
8. Remove retaining plate bolts.
 - Size: 4mm allen
9. Remove axle nut retainer plate.
10. Remove axle nut and washer.
 - Size: 30mm socket
11. Remove hub/rotor assembly by pulling it off.
12. Rotate the axle so that the set screw can be accessed through the holes in the transmission.
13. Remove ① the first locking set screw (acts as a jam nut).
 - Size: 1/8" allen (long)
14. Loosen ② the second locking set screw by turning it counterclockwise two (2) and a half (1/2) full turns to release the retaining ring.
 - Size: 1/8" allen (long)
15. Pull axle out.



GREASING AN AXLE

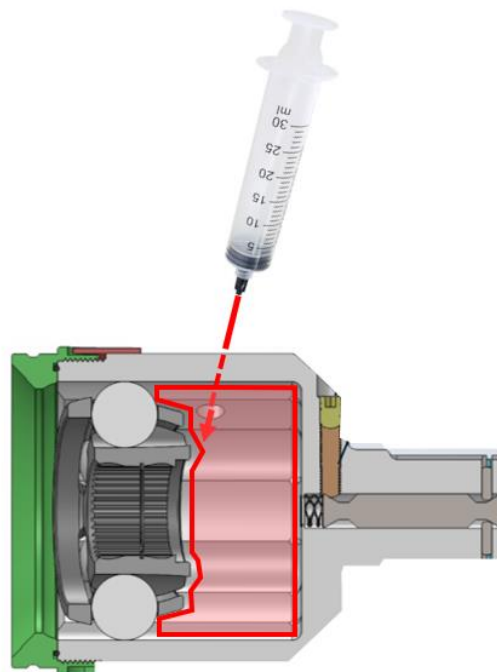
The axles can be greased by removing ① the set screw located on the CV housings.

The set screw is most easily accessed when the axles are off the vehicle, however, they can also be accessed while still on the vehicle through clearance holes in the tail cage and the wheel hubs.



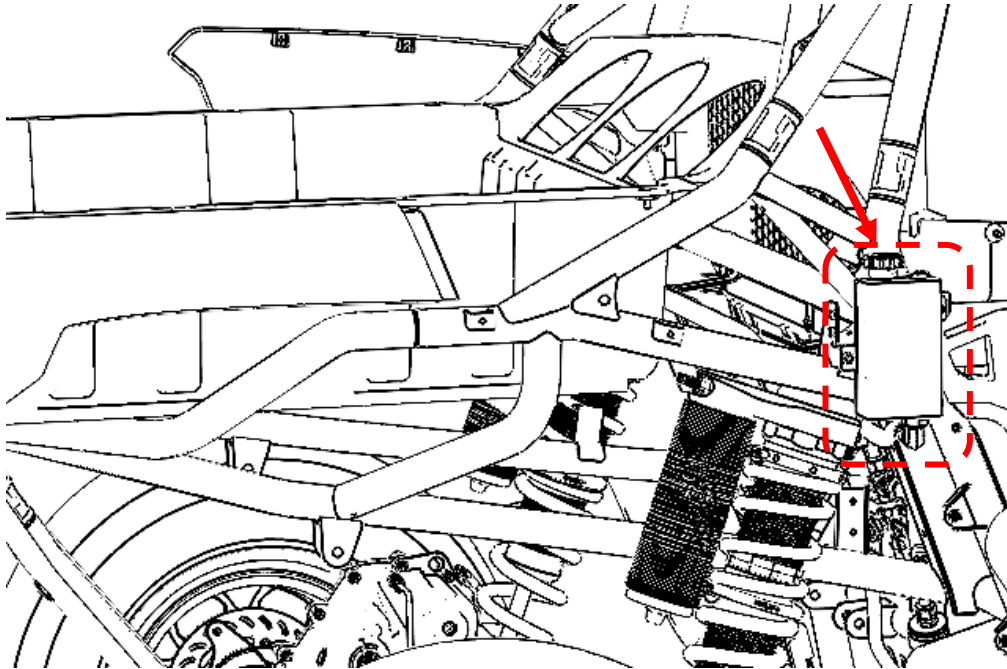
Ensure the CV axle is fully plunged out so that the grease can be inserted in behind the CV ball cage.

The image on the right illustrates how when the CV axle is fully plunged out (completely vertical in this case) the CV ball cage is extended as far outwards as possible. In this position, the access hole is aligned such that the grease is able to pack in and fill the CV housing.



4.6 POWER STEERING FLUID

The hydraulic fluid used in the power steering system should be checked according to the preventative maintenance scheduling. Use synthetic power steering fluid. Remove the rear right fender to access the power steering reservoir.



4.7 ETHANOL

When using ethanol in your Speed UTV, use a top end VP racing lube to protect the engine. Follow the manufacturer's instructions.



M2™ alcohol fuel additive lubricates the upper cylinder and fuel system and increases power with more ring seal. It replaces lubrication lost by wash of dry fuels and is not detectable by routine fuel tests. M2 alcohol fuel additive mixes with only slight agitation. Use M2 to protect the investment in your methanol or ethanol-powered engine. It will more than pay off at rebuild time.

4.8 SPARK PLUGS

The condition of the spark plugs is a direct indicator of the state of the engine's operation. Over the course of the engine's operating life, the spark plugs' end conditions should be periodically inspected as per the schedule outlined in this section.

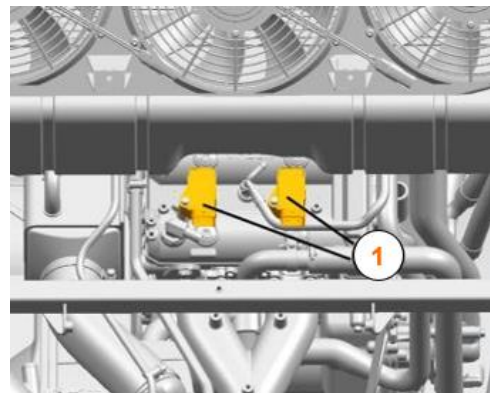
ELECTRODE GAP	SPARK PLUG TORQUE
0.025 in (0.635 mm)	15 ft-lbs. (20 Nm)



CAUTION

Be careful while working on the engine, the exhaust system, and the surrounding areas; they may be hot and could result in serious injury. Always allow the system to cool down before working on components.

1. Remove the cargo bed to access the spark plugs ①.
2. Clean the area around the spark plugs before removing the plugs.
3. Remove the spark plug caps.
4. Using the spark plug wrench provided in the tool kit, remove the plugs by rotating them counterclockwise.
5. Reverse the procedure for spark plug installation.



4.9 SPARK ARRESTER

The spark arrester should be cleaned periodically as outlined in the schedule portion of this section. The buildup of carbon reduces the performance of the engine. Depending on the type of terrain that the vehicle is being subjected to, more frequent cleaning of the spark arrester may be necessary.

⚠ WARNING

Failure to heed the following warnings while servicing the spark arrester could result in serious injury or fatality.

- Wear eye protection and gloves.
- Do not perform clean-out immediately after the engine has been running.
- Allow components to cool sufficiently before proceeding.
- Never operate without the spark arrester.
- Never run the engine in an enclosed area. Exhaust contains poisonous carbon monoxide gas that can cause loss of consciousness or death in a very short time.

1. Remove bolts ① and ②.
2. Remove the spark arrester ③.
3. Clean spark arrester.
4. Check for damage or wear, replace if needed.
5. Reinstall the spark arrester.



4.10 COOLING SYSTEM

The radiator features a single pressure cap and fill point for the vehicle engine coolant system. The radiator is connected to a recovery system which maintains the engine coolant level and is comprised of the overflow bottle, vent fitting, pressure cap, and hose. Periodically inspect the condition of the radiator fins in accordance with the scheduling portion of this Maintenance section.



CAUTION

It is imperative that there are no obstructions to the radiator's air flow. Always inspect the condition of the radiator and shrouding to ensure there are no impedances to the radiator cores; restriction to air flow may lead to overheating that could cause damage to the engine.

When removing the radiator cap, hot steam escaping can cause burns. Never remove pressure cap while the engine is warm or hot. Always allow the engine to cool down before removing the pressure cap.



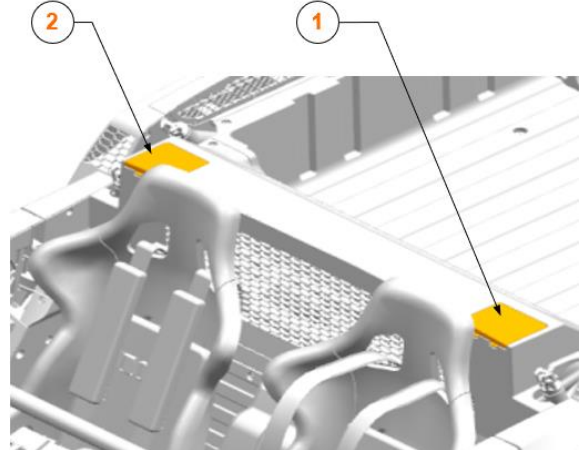
IMPORTANT

The three radiator fans are programmed to each turn on sequentially with respect to the water and engine temperature. This is to say that if all three fans are not running, the water and engine temperature are simply not at a point where all three fans are necessary to cool the radiator.

COOLANT CHANGE PROCEDURE

The radiator caps for the engine and intercooler are both located underneath plastic panels on the radiator shroud.

1. Ensure the vehicle is positioned level on a flat plane and stationary.
2. Remove the plastic panels by squeezing the clamps and pulling the panel towards the front of the vehicle.
3. Ensure the radiator has had sufficient time to cool down and that no pressure has built up behind the radiator caps.
4. Remove the radiator and intercooler caps by twisting them off.
5. Fill ① the engine radiator port until water/coolant is just visible through the filler neck of the system.
6. Fill ② the intercooler radiator port until water/coolant is just visible through the filler neck of the system.
7. Remove any unwanted air by 'burping' the system.
8. Wait for the vehicle to warm up so the thermostat opens up and allows the pressure of the water/coolant being heated to drive out any air.
9. Continue filling the system as necessary.
10. Replace the radiator caps once finished by twisting them back on.



4.11 CLUTCHES & CVT BELT

CAUTION

Do not modify any component of the CVT system as doing so may reduce its strength and structural integrity resulting in a failure. The CVT clutches have been precisely balanced by the factory and any modification may disrupt the system causing undesirable vibrational characteristics and alter the loading condition on components.

As the owner, you have the following additional responsibilities for your own safety and the safety of others:

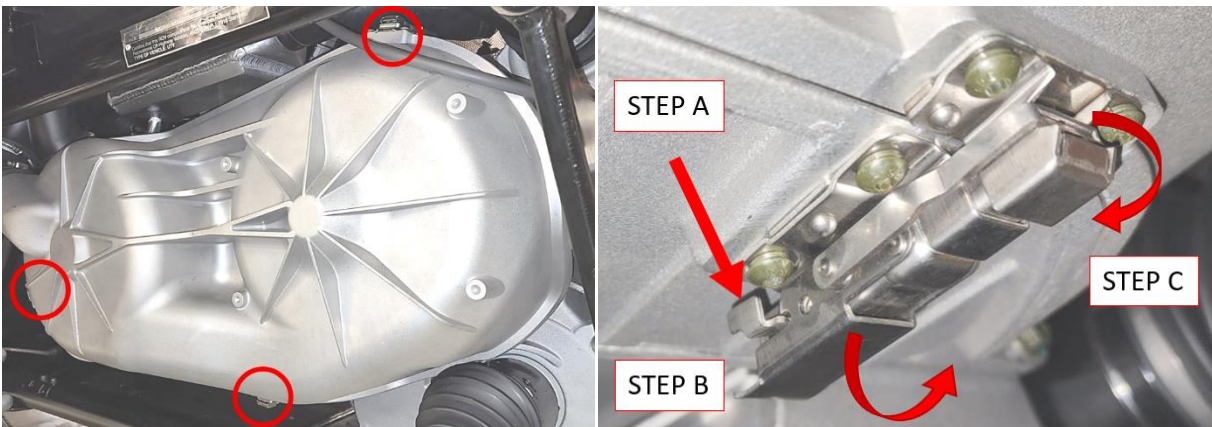
- Always follow all recommended maintenance procedures.
- Always inspect around the clutch and vent system when replacing the belt.
- Always remove ALL DEBRIS from the CVT system.
- This CVT system is intended for use on Speed UTV products only.
- Do not install this CVT system on any other product.
- Always make sure the CVT cover housing is securely in place during operation.

CHANGING CVT BELT

WARNING

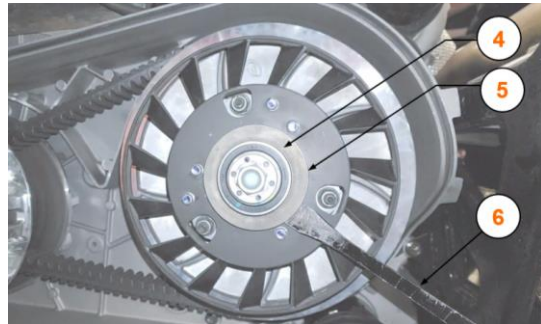
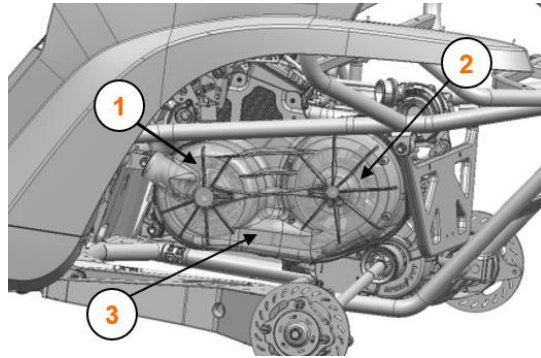
Always wear appropriate PPE such as Gloves and Safety Glasses when working on the Speed UTV.

1. Allow hot components to cool before performing this procedure.
2. Loosen the three latches around the perimeter of the CVT cover by pinching the locking lever (STEP A) to unlock the hook latch, pull on the hook latch (STEP B) to loosen the hook hold and release the latch (STEP C).



MAINTENANCE

3. Remove the CVT cover ③.
(NOTE: the air ducting to the CVT cover does not need to be removed as the cover can be laid to the side while accessing the CVT belt).
4. Thoroughly clean ALL DEBRIS from the CVT system, the primary clutch ①, and the secondary clutch ②.
5. Place a prying tool ⑥ between the metal fan front plate ④ and the bearing backing plate ⑤ on the secondary clutch ②.
(NOTE: ensure the prying tool is leveraged on the metal fan front plate, leveraging on other surfaces will result in damaging or breaking clutch components).
6. Use the prying tool ⑥ to pry the secondary clutch ② sheaves open.



NOTICE

Use the lady's foot or pry bar from the Speed UTV toolbox to slightly open the sheaves to aid in debris removal and belt installation.



CAUTION

The secondary clutch uses a spring with high spring force to compress the sheaves together during operation. When prying the sheaves apart, keep all hands and fingers clear as the pinch and nip points could result in severe injury.

7. Remove the CVT belt by slowly turning the secondary clutch ② (with the prybar still holding the CVT open) until it dislodges or loosens completely.
8. Replace the CVT belt by first wrapping the belt completely around the primary clutch ①.
9. Slowly turn the secondary clutch ② (with the prybar still holding the CVT open) while guiding the CVT belt around the sheaves.
10. Keep turning the secondary clutch ② until the CVT belt is fully wrapped around both clutches.
11. Spin the secondary clutch ② until the clutch sheaves engage the belt.
12. Reinstall the CVT cover by securing the three (3) spring latches.
13. Ensure the air ducting is also re-attached to the CVT cover.



IMPORTANT

Belt slip is responsible for creating excessive heat that destroys belts, wears clutch components, and causes outer clutch covers to fail. Switch to low range while operating at slower speeds to extend the life of the CVT components (belt, cover, etc.). If excessive belt slip is noticed under normal operating conditions, see your Speed UTV authorized dealer for service.

CVT DRYING

There may be some instances when water is accidentally ingested into the CVT system. Use the following instructions to dry it out before operating.

1. Remove the clutch cover.
2. Allow the water to drain.
3. Apply the brakes.
4. Place the transmission in PARK.
5. Start the engine.
6. Apply varying throttle for 10-15 seconds to expel the moisture and air-dry the belt and clutches. Do not hold the throttle wide open.
7. Allow the engine RPM to settle to idle speed.
8. Apply the brakes.
9. Shift the transmission to the lowest available range.
10. Test for belt slippage. If the belt slips, repeat the process.
11. If the belt continues to slip, your vehicle requires service as soon as possible. Reach out to your Speed UTV dealer or authorized person so they can assist.



NOTICE

When washing the vehicle, always avoid spraying water directly toward the CVT intake duct. See the Washing the Vehicle section for details.

4.12 BRAKES

Always check the brake pedal travel before each use of the vehicle. When applied the brake pedal should feel firm. Any sponginess would indicate a possible fluid leak or low brake fluid level, which must be corrected before riding.

If you discover any irregularities in the braking system or brake operation, including excessive pedal travel or insufficient pedal travel, contact your dealer for proper diagnosis and repairs.

⚠ WARNING

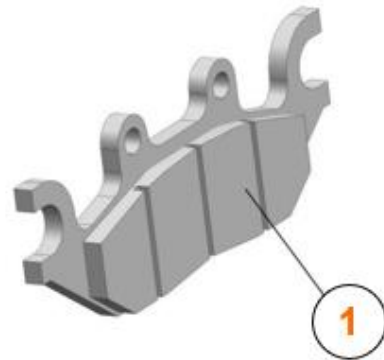
Operating the vehicle with a spongy brake pedal can result in loss of braking, which could cause an accident resulting in severe injury or death. Never operate the vehicle with a spongy-feeling brake pedal.

⚠ CAUTION

Brake rotors can become extremely hot during and after operation. Always allow the discs to cool before performing maintenance to prevent risks of burns or injury.

BRAKE INSPECTION

1. Inspect the brake lines for any leaks.
2. Inspect the brake calipers for any leaks.
3. Test the brake pedal for excessive or insufficient travel.
4. Check the brake pads for wear or damage.
5. Inspect the brake rotors for any indications of damage.
6. Ensure the brake rotor surface is clean of any residues by using an approved brake cleaner.
7. Evaluate the brake pad wear surface.
8. Replace pads ① when worn to 0.040" (1.0 mm) in thickness.



BRAKE FLUID

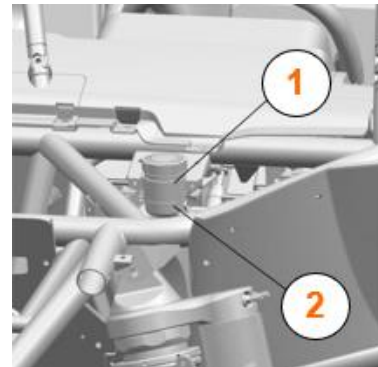
Always check the full travel of the brake pedal before each use of the vehicle. When applied, the brake pedal should feel firm throughout its travel. Any sponginess would indicate a possible fluid leak or low brake fluid level, which must be corrected before riding. If the brake fluid level is too low, add the necessary brake fluid for the riding conditions required.

Change the brake fluid every two years and/or any time the fluid becomes contaminated, the fluid level is below the minimum, or if the type and brand of the fluid in the reservoir are unknown. Access the brake fluid reservoir under the driver's side hood.

WARNING

After opening a bottle of brake fluid, always discard any unused portion of the brake fluid; never store or use a partial bottle. Brake fluid rapidly absorbs moisture from the air. The moisture causes the boiling temperature of the brake fluid to drop, which can lead to early brake fade and the possibility of accident, severe injury, or death.

1. Ensure the vehicle is positioned level on a flat plane and stationary.
2. Place the transmission in PARK.
3. View the brake fluid level in the reservoir. The level should be between the maximum ① and minimum ② level lines.
4. If the fluid level is lower than the low-level line, add brake fluid to the upper line.
5. Apply the brake forcefully for a few seconds and check for fluid leakage around the fittings.



CAUTION

Without the proper level of brake fluid in the brake fluid reservoir, the vehicle will enter into a limp mode in which the vehicle's operations become limited, and the maximum speed will be limited to 15 mph (24 kph).

MASTER CYLINDER

Always check the extension of the brake master cylinder to ensure the locknut is secured and there is no interference between the pedal and the interior plastics. There should be only two (2) threads past the clevis of the brake master cylinder.

WARNING

Not all brake fluids are compatible with each other. Some brake fluids are glycol-based while others are silicon based. This means they cannot be mixed without harming the brake system which may cause a result in loss of braking, which could cause an accident resulting in severe injury or death.

The following chart illustrates which brake fluids are compatible with one another. The checkmark indicates that the brake fluids can be mixed as they have the same base. The x mark indicates that the brake fluids are not compatible and should not be mixed as they have different bases. DOT 5 uses a silicon base. DOT 3, 4, and 5.1 use a glycol-base.

Brake Fluid Compatibility Chart

	DOT 3	DOT 4	DOT 5	DOT 5.1
DOT 3	✓	✓	X	✓
DOT 4	✓	✓	X	✓
DOT 5	X	X	✓	X
DOT 5.1	✓	✓	X	✓

CAUTION

This chart does not indicate that the different brake fluids achieve the same performance parameters. Each brake fluid is designed to operate based on the minimum boiling temperature specified by the Department of Transportation.

4.13 SUSPENSION

GENERAL

Before every ride inspect your suspension for loose or worn joints. Upon delivery, the Speed UTV factory suspension settings have been calibrated to best accommodate a wide range of riding conditions. The following section will outline various areas of adjustability that can be performed on the suspension to dial in the vehicle characteristics that are required for more specific riding conditions.

RIDE HEIGHT

Adjusting the ride height of the vehicle will impact the ride and suspension performance. The Speed UTV features Position Sensitive Shock Absorbers (PSSA) which have been specifically tuned for optimum performance.



NOTICE

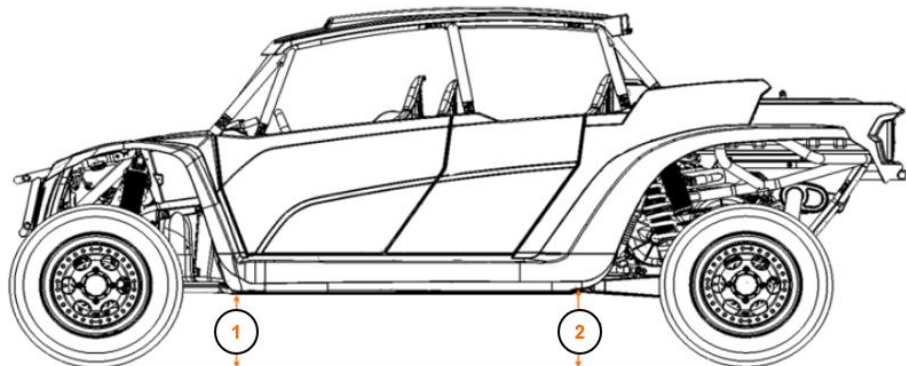
For best suspension performance in a wide range of conditions ensure the ride height of the vehicle (measured from the ground to the flat portion of the belly skid plate) is between 15" to 16" (381mm to 406mm) at static ride height.

Ride height may settle overtime due to spring settling, this is not a warranty item and it is the owner's responsibility for maintaining ride height.

ADJUSTING RIDE HEIGHT

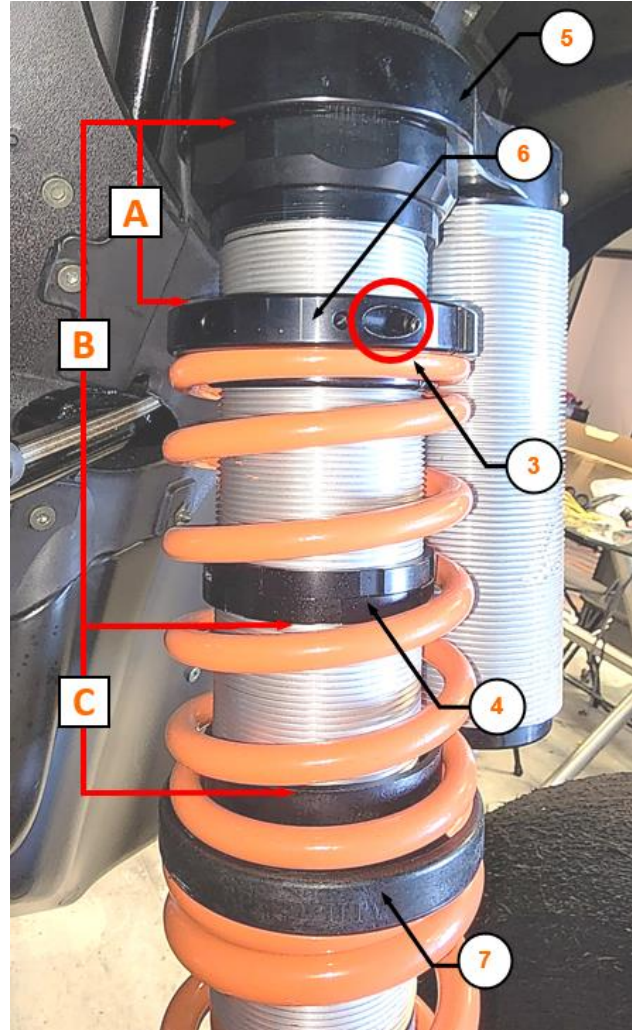
To adjust the ride height of the vehicle spring pre-load must be added or removed.

1. Position the vehicle on a level surface.
2. Wash and clean the vehicle, ensure all dirt and dust is removed from shock bodies.
3. Measure and record the ride height from the ground to the flat portion of the belly skid plate at ① the front and ② the back of the passenger compartment.



MAINTENANCE

4. Using a suitable jack, lift the vehicle until the tire(s) are off the ground and the suspension is fully drooped out (unloaded).
5. Loosen the pinch bolt ③ in the top spring perch ⑥ .
 - a. Size: 5mm Allen
6. Record Δ the distance between the bottom of the reservoir cross over ⑤ and the top of the top spring perch ⑥ .
7. Spin the top spring perch ④ using a tool to gain leverage to compress the spring:
 - a. **Down** to **raise** ride height.
 - b. **Up** to **lower** ride height.
8. Remeasure and compare the distance Δ (new) to the Δ (old).
9. Repeat for all shocks.
10. Lower the car to the ground.
11. Bounce and roll the car forwards and backwards to allow the suspension to settle.
12. Remeasure the ride height and compare the measurements to the measurements from step 2. If the desired ride height is achieved, then proceed to step 13, if not, return to step 4.
13. Tighten ③ the pinch bolt in the top spring perch.



ADJUSTING THE CROSSOVER RING

The Speed UTV shocks feature dual rate coil springs, which uses a crossover ring to control when the shock rate switches from one to two active springs. Many factors play into determining where the crossover rings should be set. Speed UTV recommends the distance Δ between the bottom of the crossover ring ④ and the top of the spring slider ⑦ be set to approximately 1.00" (25.4mm) for the front and 2.00" (50.8mm) for the rear.

CAUTION

The maximum distance Δ between the bottom of the reservoir cross over ⑤ and the top of the secondary is 8.25" (210mm). Any more and the springs will be in coil bind.

⚠ WARNING

Do not attempt to disassemble the shocks or any components of the shocks. They are internally pressurized with gas and improper handling can result in the possibility of accident, severe injury, or death.

Do not unscrew the adjusters more than 0.750" (19.05mm).



1: Compression Adjuster (LEFT)
2: Rebound Adjuster (RIGHT)

ADJUSTING THE COMPRESSION

The Speed UTV shocks feature a compression adjuster plunger which can be used to stiffen or loosen the compression damping of the shock absorber. From the factory, these are set to be suitable for a wide range of terrain. If the operator wishes to adjust the compression damping, follow the steps below:

1. Using calipers measure the length of thread sticking out on the left adjuster when looking at the shock. Record this value.
2. Using an Allen key and wrench loosen the jam nut.
3. Screw in the adjuster to increase compression damping (stiffer), screw out the adjuster to reduce compression damping (softer)
4. Using an Allen key and wrench tighten the jam nut.
5. Using calipers measure the length of thread sticking out on the left adjuster when looking at the shock. Record this value.

ADJUSTING THE REBOUND

The Speed UTV shocks feature a rebound adjuster which can be used to stiffen or loosen the rebound damping of the shock absorber. From the factory, these are set to be suitable for a wide range of terrain. If the operator wishes to adjust the rebound damping, follow the steps below:

1. Using calipers measure the length of thread sticking out on the right adjuster when looking at the shock. Record this value.
2. Using an Allen key and wrench loosen the jam nut.
3. Screw in the adjuster to increase rebound damping (slower), screw out the adjuster to reduce rebound damping (faster)
4. Using an Allen key and wrench tighten the jam nut.
5. Using calipers measure the length of thread sticking out on the right adjuster when looking at the shock. Record this value.

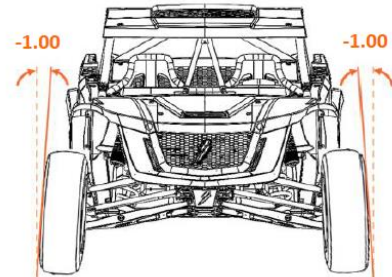
MAINTENANCE

CAMBER ALIGNMENT

The factory specifications for the camber alignment are listed below. The camber can be adjusted by turning the rod ends on the front upper suspension A-arms.

FRONT: **-0.5° to -1.5°.**

REAR: **Non-adjustable**



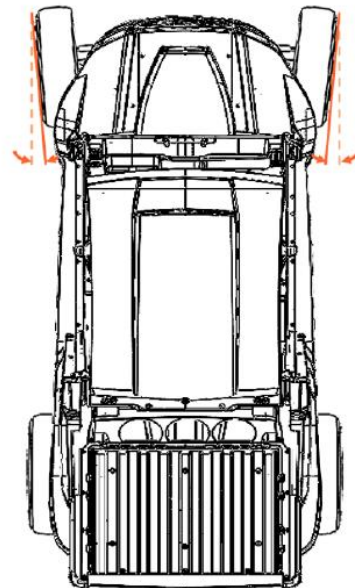
TOE ALIGNMENT

The factory specifications for the toe alignment are listed below. Measure the toe before making any adjustments. Identify the angle. The toe can be adjusted by turning the rod ends on the tie rods.

FRONT: **Leading edge at 0.0000"**
Trailing edge at 0.0625"

REAR: **Non-adjustable**

FRONT



CAUTION

Failure to use the official SPEED UTV axle tool for setting axle alignment may result in incorrect axle alignment and could result in the axle pulling out of the transmission housing or otherwise damaging the drivetrain and/or suspension.

4.14 BATTERY

Exercise caution when handling the battery, its terminals, and the surrounding wiring harness. Take the necessary precautions to stay safe when handling, working on and charging vehicle batteries and always wear the proper personal protective equipment.

REMOVAL

1. Ensure there is NO vehicle power before removing the battery (TURNED OFF)
2. Remove the rear center console panel.
3. Disconnect the black (NEGATIVE) battery cable first,
4. Secure the loose cable away from the battery terminals.
5. Disconnect the red (POSITIVE) battery cable last.
6. Remove the battery hold-down strap.
7. Lift the battery out of the vehicle.

INSTALLATION

Using a new battery that has not been fully charged can damage the battery and result in a shorter life. It can also hinder vehicle performance. Follow the instructions in the Battery Charging section before installing the battery.

1. Ensure that the battery is fully charged.
2. Place the battery in the battery holder.
3. Coat the terminals with dielectric grease or petroleum jelly.
4. Secure the battery hold-down strap.
5. Connect and tighten the red (positive) cable first.
6. Connect and tighten the black (negative) cable last.
7. Verify that cables are properly routed.
8. Install the battery hold-down strap and the rear center console panel.

CHARGING

⚠ WARNING

An overheated battery may explode, causing severe injury or death. Always watch charging times carefully. Stop charging if the battery becomes very warm to the touch. Allow it to cool before resuming charging.

To maintain the battery, keep it fully charged. Check the battery voltage using the dash, with a voltmeter, or multimeter. A fully charged battery will register 12.8V or higher. To extend the life of the battery, charge it immediately if the voltage falls below 12.5V.

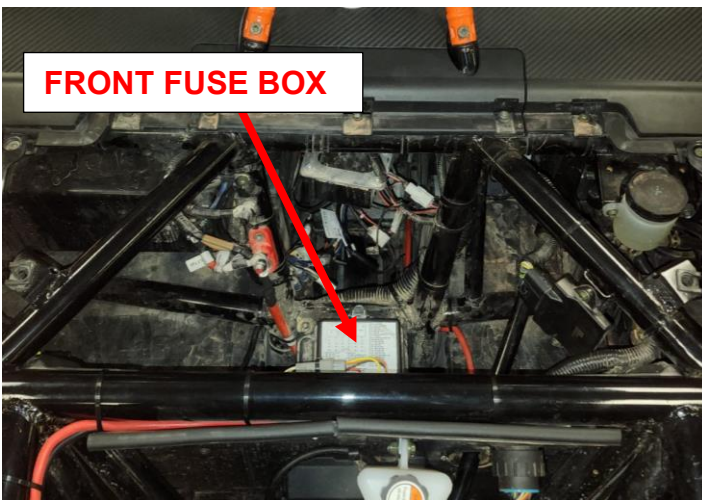
PROLONGED STORAGE

Over time, all batteries will self-discharge. Both the ambient temperature and the conditions of the battery affect the rate of self-discharge. If you plan to store the vehicle for one (1) month or longer, completely disconnect the battery from any source of electrical drain, remove from vehicle, then store the battery in a cool and dry location.

When using an automatic charger, refer to the charger manufacturer's instructions for charging.

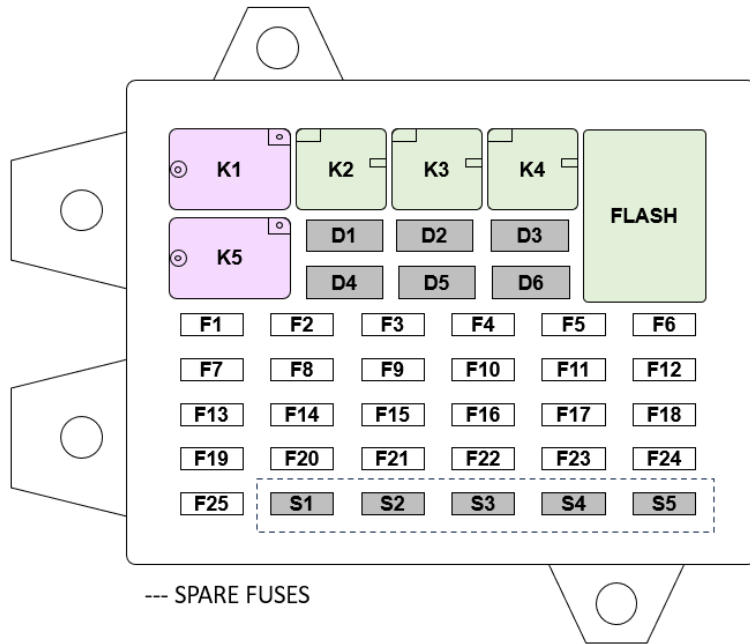
4.14 FUSE BOX / RELAY CENTER

FUSE BOX LOCATIONS



MAINTENANCE

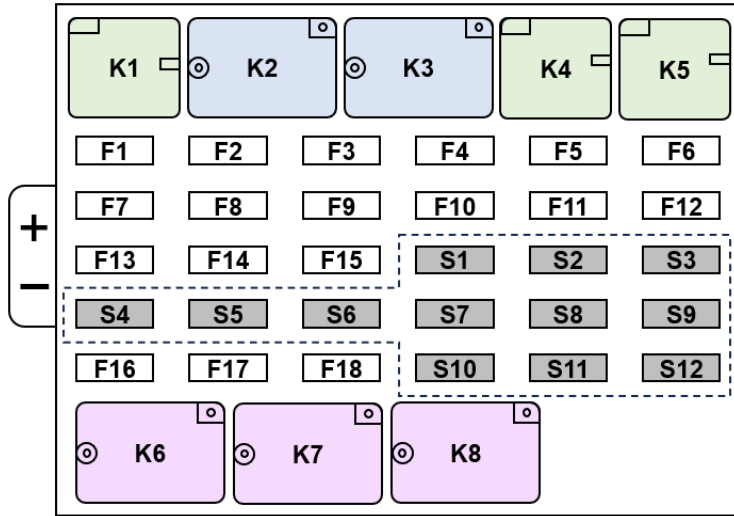
FRONT FUSE BOX



#	A	MODEL	FUNCTION
K1	20	HFV9 12-H-R	RELAY, ROOF LIGHT
K2	30	HFV11 12-H-R	RELAY, LOW BEAMS
K3	30	HFV11 12-H-R	RELAY, HIGH BEAMS
K4	20	HFV11 12-H-R	RELAY, POSITION LIGHTS
K5	20	HFV9 012-1ZR	RELAY, AMP DISABLE
D1		DTN-DD	EMERGENCY SWITCH, LOW SIGNAL
D2		DTN-DD	EMERGENCY SWITCH, HIGH SIGNAL
D3		DTN-DD	PKE, TURN SIGNAL, LEFT
D4		DTN-DD	EMERGENCY SWITCH, LOW SIGNAL
D5		DTN-DD	EMERGENCY SWITCH, HIGH SIGNAL
D6		DTN-DD	PKE, TURN SIGNAL, RIGHT
F1	30	Mini, APM/ ATM	AUXILLARY EQUIPMENT
F2	5	Mini, APM/ ATM	FUSE, BCM/PKE
F3	7.5	Mini, APM/ ATM	FUSE, WINCH/HORN
F4	20	Mini, APM/ ATM	FUSE, TRAIL
F5	7.5	Mini, APM/ ATM	FUSE, HEAD LIGHTS
F6	2	Mini, APM/ ATM	FUSE, FASH
F7	7.5	Mini, APM/ ATM	FUSE, DASH/PKE/BCM/STARTER RELAY
F8	5	Mini, APM/ ATM	FUSE, DI HARNESS
F9	15	Mini, APM/ ATM	FUSE, DC (FRONT) / USB (FRONT)
F10	25	Mini, APM/ ATM	FUSE, ROOF LIGHT
F11	7.5	Mini, APM/ ATM	FUSE, WIPER PUMP
F12	15	Mini, APM/ ATM	FUSE, WIPER BLADE
F13	20	Mini, APM/ ATM	FUSE, RADIO
F14	15	Mini, APM/ ATM	FUSE, HEAD UNIT
F15	2	Mini, APM/ ATM	FUSE, BRAKE LIGHTS
F16	10	Mini, APM/ ATM	FUSE, INTERIOR LIGHTS
F17	10	Mini, APM/ ATM	FUSE, AUXILLARY LIGHTS
F18	15	Mini, APM/ ATM	FUSE, CHASE LIGHT
F19	15	Mini, APM/ ATM	FUSE, CHASE LIGHT POWER
F20	5	Mini, APM/ ATM	FUSE, BACKLIGHTS
F21	3	Mini, APM/ ATM	FUSE, TURN SIGNALS
F22	10	Mini, APM/ ATM	FUSE, AIR PUMPER
F23	7.5	Mini, APM/ ATM	FUSE, SEAT HEATING
F24	10	Mini, APM/ ATM	FUSE, MIRROR LIGHT
F25	15	Mini, APM/ ATM	FUSE, BUMPER LIGHT

MAINTENANCE

REAR FUSE BOX



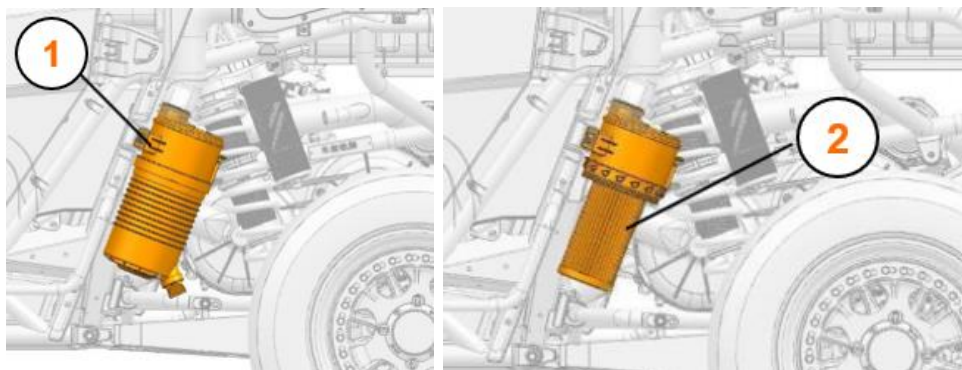
--- SPARE FUSES

#	A	MODEL	FUNCTION
K1	20	HFV11 12-H-R	RELAY, DBW
K2	30	HFV9 012-1ZR	RELAY, EFI
K3	30	HFV9 012-1ZR	RELAY, COILS
K4	20	HFV11 12-H-R	RELAY, FUEL PUMP
K5	20	HFV11 12-H-R	RELAY, CVT COVER FAN
K6	35	HFV9-C 12-H-R	FAN 1, LEFT
K7	35	HFV9-C 12-H-R	FAN 2, MIDDLE
K8	35	HFV9-C 12-H-R	FAN 3, RIGHT
F1	5	Mini, APM/ ATM	FUSE, DBW
F2	10	Mini, APM/ ATM	FUSE, EFI SYSTEM (ECU#1/RECORD)
F3	15	Mini, APM/ ATM	FUSE, COILS
F4	20	Mini, APM/ ATM	FUSE, FUEL/WATER PUMP
F5	10	Mini, APM/ ATM	FUSE, CVT FAN
F6	4	Mini, APM/ ATM	FUSE, STARTER RELAY
F7	2	Mini, APM/ ATM	FUSE, CVT BELT TEMP SENSOR
F8	10	Mini, APM/ ATM	FUSE, ECU
F9	7.5	Mini, APM/ ATM	FUSE, OXYGEN
F10	5	Mini, APM/ ATM	FUSE, ETHANOL SENSOR (ECU#2)
F11	2	Mini, APM/ ATM	FUSE, GYROSCOPE
F12	15	Mini, APM/ ATM	FUSE, DC SOCKER / USB CHARGER
F13	30	Mini, APM/ ATM	FUSE, AUXILLARY EQUIPMENT
F14	3	Mini, APM/ ATM	FUSE, MAIN RELAY
F15	2	Mini, APM/ ATM	FUSE, FAN CONTROL
F16	30	Mini, APM/ ATM	FUSE, FAN 1, LEFT
F17	30	Mini, APM/ ATM	FUSE, FAN 2, MIDDLE
F18	30	Mini, APM/ ATM	FUSE, FAN 3, RIGHT

4.15 AIR FITLER

It is important to change the air filter as recommended by the maintenance schedule outlined in this section. Depending on the type of terrain that the vehicle is being subjected to, more frequent cleaning or changing of the air filter may be necessary.

1. Pull the lock pin ① upward to unlock the case.
2. Follow the arrow on the case and turn to remove the bottom half.
3. Remove the air filter ②.
4. Inspect the intake tube for debris.
5. Replace the air filter ②.
6. Follow the arrow to reinstall the case and push down the pin to lock.



CAUTION

The intake tube should always be inspected and cleaned while servicing the air filter. The buildup of dirt, sand, silt, and/or other debris in the intake tube can inhibit air flow and as a consequence severely damage the engine.

Do not clean the air filter with compressed air, use a brush to remove loose debris.

4.16 WHEELS & TIRES

⚠ WARNING

Operating your vehicle with worn tires will increase the possibility of skidding, loss of control and an accident, which could result in serious injury or death. Always replace tires when the tread depth measures 0.50 in (12.70 mm) or less.

Improper tire inflation or the use of non-standard size or type of tires may adversely affect vehicle handling, which could result in vehicle damage or personal injury. Always maintain proper tire pressure. Always use Speed UTV approved size and type of tires for this vehicle.

TIRE TREAD DEPTH

Always replace the tires when the tread depth has been worn to less than 0.50 in (12.70 mm).



MAINTENANCE

TIRE DIAMETER

Speed UTV recommends using 32" tall tires.

If the customer chooses to increase the tire diameter, the increased size and weight will increase the load on transmissions, CVTs, CVT belts, center driveshafts and will reduce the torque limit of the torque limiters inside the front differential and transmission due to mechanical advantage.

It is the operator's responsibility to recognize the increased load and strain on the powertrain and drivetrain and operate the vehicle accordingly. Furthermore, larger tires will have an adverse effect on the brakes as they will require additional braking force.

MAINTENANCE

WARNING

Proper wheel installation is critical for maintaining vehicle safety. Incorrectly mounted wheels can affect wheel alignment, balance, even tread wear distribution, and handling characteristics that may cause the vehicle to lose control, resulting in severe injury or fatality. Follow the maintenance scheduling outlined in this section.

DANGER

Proper jacking or supporting of the vehicle during wheel, tire, and/or brake maintenance and servicing is absolutely critical for maintaining personal safety. Failing to follow the correct procedures can result in accidents, severe injury, or fatality.

- Use a sturdy level surface for elevating the vehicle.
- Ensure the vehicle is in PARK and turned OFF.
- Ensure the vehicle is securely supported to reduce the risk of tipping or falling.
- Prevent unintended vehicle movement while elevated by using appropriate supports.
- Allow for adequate clearance around the wheels to maintain visibility and workspace.
- Follow the jack manufacturer's instructions.
- Do not place any object above or under a jack.
- Never place any part of your body under the vehicle without first securely constraining the vehicle.

AXLE AND LUG NUTS

Periodically check the torque on the axle and lug nuts they are still tight and have not come loose. Never apply any lubricants to the stud or the lug nuts.

COMPONENT	LOCATION	TORQUE SPECIFICATION
Lug Nut	Front & Rear	85 ft. lbs. (115 Nm)
Axle 'Crown' Nut	Front & Rear	206 ft. lbs. (280 Nm)

WHEEL REMOVAL

Always ensure the vehicle is stable and securely supported when removing wheels.

1. Move the vehicle to a sturdy level surface.
2. Shift the gear selector into PARK.
3. Turn OFF the engine.
4. Loosen the lug nuts slightly.
5. Lift the side of the vehicle using certified jacking equipment so that the wheel rotates freely above the ground, approximately 0.50 in (12.70 mm).
6. Place an additional safety stand under the frame.
7. Remove the lug nuts.
8. Remove the wheel.

WHEEL INSTALLATION

Always ensure the vehicle is stable and securely supported when installing wheels.

1. Ensure the gear selector is in PARK.
2. Align the wheel holes with respect to the wheel hub.
3. Ensure the valve stem is facing towards the outside and rotation arrows on the tire point towards the forward rotation direction.
4. Mount the wheel to the wheel hub.
5. Fasten the lug nuts snugly but do not fully tighten.
6. Check to make sure the area under the vehicle is clear.
7. Take care in lowering the vehicle to the ground.
8. Torque the lug nuts to specification.
9. See the Axle and Wheel Nut Torque Specifications section for details.

4.17 LIGHTS

To provide optimal lighting, wipe down the headlight and taillight lenses regularly. Depending on the type of terrain that the vehicle is being subjected to, more frequent cleaning of the lights may be necessary.

4.18 WASHING

CLEANING

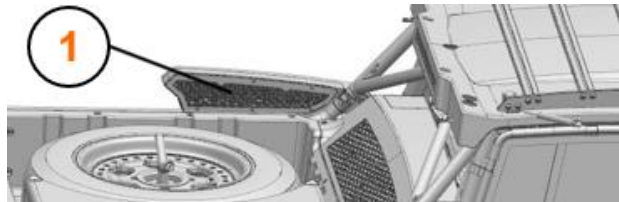
Washing the entire vehicle regularly is important for its longevity and overall maintenance. By thoroughly cleaning the vehicle, visual inspections of components can be conducted across the various subsystems. Removing dirt and grime that has accumulated on the vehicle assists in preventing and identifying potential problems or issues.



CAUTION

High water pressure may damage vehicle components, always wash with low pressure. Certain products, including insect repellents and chemicals, will damage plastic surfaces. Always check the manufacturer's product compatibilities.

Water in the CVT system could cause the drive belt to become wet and slip in the clutches. When washing the vehicle, always avoid spraying water directly toward the CVT intake duct ①.



1. Before washing, remove any loose dirt, mud or debris using a garden hose or pressure washer on a low setting.
2. Select a mild detergent or a specialized UTV cleaning solution that is designed for off-road vehicles.
3. Avoid using harsh chemicals or abrasive cleaners that can damage the paint, plastics, or seals.
4. Start by spraying the surfaces with a cleaning solution working from top to bottom.
5. Use a soft brush or sponge to gently scrub areas.
6. Pay attention to hard-to-reach areas such as under fenders, suspension, and engine.
7. Use a separate brush or sponge to clean the wheels and tires.
8. Thoroughly rinse the vehicle with a garden hose or pressure washer on a low setting.
9. Remove all traces of soap or cleaning solution.
10. Use a soft microfiber cloth or chamois to dry the vehicle (prevent water spots).
11. Apply a protective coating or wax on plastic, metal, and painted surfaces.



NOTICE

While cleaning, regularly inspect for loose bolts, damaged parts, or signs of wear.

5.0 WARRANTY

5.1 SPEED LIMITED WARRANTY

WARRANTY REGISTRATION FORM

Speed UTV places a strong emphasis on providing exceptional customer service and backing our products with a comprehensive warranty. We take great pride in ensuring that our customers have a positive experience from the moment they make the decision to join the Speed UTV family with their purchase. Our dedicated customer service team is always ready to assist and address any concerns or questions promptly and professionally. To instill confidence and peace of mind in our customers, we have designed our warranty program to ensure that our customers receive the support and satisfaction they deserve.

This limited warranty defines the promise made by Speed UTV to its customers regarding the quality, performance, and condition of its products and services.

TERM

The terms and conditions of this warranty commence on the date of initial delivery of a new Speed UTV vehicle, (the “*Date*”) after which Speed UTV LLC., will abide by the conditions outlined in this Agreement for a period of six (6) months.

COVERAGE CONDITIONS & LIMITATIONS

The Speed UTV limited warranty covers the repair or replacement of genuine Speed UTV parts and accessories that experience failure (during normal operation and use) as a direct result of defects in material or workmanship. This warranty does not cover force majeure, accidental damage incurred, misuse, abuse, mishandling, or normal wear and tear. This warranty also does not cover the repair or replacement of any vehicle, components, parts, or accessories that have been modified, customized, or altered.

WARRANTY

ENGINE

- All internally lubricated parts
- Cylinder Head(s)
- Engine Block
- Engine Crankcase & Cylinder Barrels¹
- Engine Cylinder Barrels
- Engine Mounts
- Exhaust Manifolds
- Fan Motor
- Intake Manifolds
- Oil Pump
- Valve Covers

¹ If damaged as a result of failure of an internally lubricated covered engine component.

COOLING SYSTEM

- Hose Fittings
- Hose Lines
- Housings
- Radiator
- Water Pump

TURBO (SPEED UTV INSTALLED ONLY)

- All internal parts
- Shafts
- Vanes
- Waste Gate & Housing²

² If damage is caused by a failure of any of the above covered components.

DRIVE SYSTEM

- All internally lubricated parts
- Bearings
- Clutch Case
- CV Boots
- Drive Case³
- Gears
- Gear Selector Mechanism
- Shifter Cable

³ If damaged as result of the failure of a covered primary drive component.

SUSPENSION (Front & Rear)

- All internally lubricated parts
- Control Arm, Lower
- Control Arm, Upper
- Shocks
- Spindle
- Trailing Arm

STEERING

- Steering Wheel
- Steering Stem, Shaft⁴
- Steering Stem, Nut
- Steering Stem Bearings

⁴ If damaged as a result of the failure of a covered steering component.

WARRANTY

BRAKES

- Backing Plates
- Brake Hubs
- Calipers
- Secured Hardware
- Hydraulic Fittings
- Hydraulic Lines
- Master Cylinder Assembly

ELECTRICAL & GAUGES

- All factory instrumentation⁵
- All electronic instrument sensors
- Alternator
- Assembly, Starter
- Body Control Module
- Cooling Fan Motor
- Electronic Control Module
- Ignition Coils
- Power Keyless Entry
- Manually Operated Switches
- Wiring Harness

⁵ *Lights are not included*

FUEL SYSTEM

- Fuel Fittings
- Fuel Lines
- Fuel Pump & Housing
- Diaphragms
- Springs
- Valves

WARRANTY

5.2 WARRANTY EXCLUSIONS

The Speed UTV limited warranty provides no coverage or benefits for any part not originally covered for the full term of/or specifically excluded by the manufacturer warranty.

1. This includes shop supply charges, disposal fees, and parts shipping costs and the following parts:

- Accessories¹
- Anodes
- Audio Equipment¹
- Batteries
- Body Sheet Metal
- Body Plastics
- Bulbs
- Cables (worn)
- Clutch Bearings
- Clutch Belts
- Clutch Flywheels
- Clutch Plates
- Clutch Pressure Plates
- Clutch Internal Tuning Components
- Chassis Frame
- Engine Valves (bent)²
- Engine Valves (stuck)
- Fluids & Coolants³
- Fuses
- Gaskets
- Glass
- HVAC Related Equipment
- Hoses
- LED Light Assemblies
- Lubricants
- Lug Nuts
- Mirrors
- Paint
- Seals
- Serpentine Belts
- Shock Absorbers
- Sprockets
- Tires and Wheels/Rims
- Transmission Shift Forks (bent)
- Trim
- Upholstery
- Weather Strips
- Wheel Studs

¹ Not installed by factory or Speed UTV dealership

² Unless caused by failure of a covered component

³ Unless required to repair a failure of a covered part

2. The maintenance services and parts described in the Owner's Manual (as supplied by Speed UTV) and other normal maintenance services and parts including, but not limited to:

- Alignments⁴
- Brake Pads
- Brake Rotors
- Clutch Parts
- Filters⁵
- Ignition Points
- Loose Securing Hardware
- Maintenance Service⁴
- Spark Plugs
- Spark Plug Wires
- Thermostats
- Tune-ups
- Wiper Blades

⁴ Even when used in conjunction with replacement of covered parts

⁵ Including parts damaged due to dirty filters

WARRANTY

3. The warranty excludes repairs or replacements that did not have prior specific authorization.
4. Any failures of components that are still under the dealer's and/or manufacturer's warranty. Failure of parts subject to recall for repair and/or replacement by the manufacturer or for the repair to any component/part covered by the federal emission warranty, or a repairer's warranty.
5. Repairs to seized or damaged engines due to continued operation after a failure is known or should have been apparent to the operator. Customer is responsible for making sure the oil warning light/gauge and the temperature light/gauge are functioning properly before operating the vehicle.
6. Damage caused by pre-ignition detonation, pinging, improper/contaminate fuel or improper engine adjustments; dirt, water, sand or other environmental ingestion regardless of cause; continued operation.
7. Liability in excess of the actual cash value of the specified parts and of the labor for the repair or replacement thereof.
8. Damage caused by loss of oil, lubricant or coolant if deemed to be a result of misuse, abuse, neglect, or lack of maintenance.
9. Failure when vehicle/unit is used for hauling a trailer(s) without manufacturer's recommended trailer towing equipment or hauling trailers in excess of rated capacity of the vehicle/unit or failure to follow the Speed UTV Owner's Manual.
10. Failure when vehicle/unit is used for rental, racing, competition driving, sustained high speed use, acceleration trails, hard or abusive operation including but not limited to, wide open throttle operation, high speed acceleration or shifting of transmission gears at high engine RPM.
11. Commercial applications will not be covered. Such exclusions will include, but not limited to, vehicles/units used for livery or hire; police, fire, or emergency; pool/beach vehicle/units or vehicle/units which regularly have multiple operators; and vehicle/units with non-standard equipment installed specifically to facilitate commercial use.
12. Failure of parts substituted for standard or optional equipment, not intended by Speed UTV to be used in the described vehicle/unit, unauthorized alteration, and improper installation of attachments or parts; any repair resulting from a non-authorized part or accessory. Any frame or suspension modification; lift kits; oversized/undersized tires or wheels; modified lifted/oversized tire vehicle/units, unless indicated on the administrator copy of the declarations page and your identification card; trailer hitches; unless installed according to Speed UTV's specifications; unauthorized modification to any system.

WARRANTY

13. Failure caused by engine sludge or corrosion; rust or corrosion, residue, or corrosion in radiator (if any) or heater core; overheating; damage due to carbon build up on cylinders; and repairs to correct loss of compression or oil consumption related to burn, carboned, or worn piston rings or valve parts.
14. Failure of any parts covered in this contract if any hi-performance, competition, or other non-standard equipment has been installed in described vehicle/unit that would void Speed UTV's warranty of if by altering engine parts supplied by Speed UTV to increase performance, Speed UTV warranty would be voided.
15. Any liability for property damage, or for injury to or death of any persons arising out of the operation, maintenance, or use of your vehicle/unit, whether or not related to the parts covered. Loss of time, expense, profit, income, storage charges, inconvenience, loss of use of vehicle/unit, or any other loss that results from a failure (except as provided under the benefits or coverages herein). This contract does not provide coverage for damages for bad faith, punitive or exemplary damages, personal injury including bodily injury, property damage (except as specifically stated in the contract) and attorney's fees.
16. Damage to a covered component resulting from a failure of non-covered component. Damage to a non-covered part or excluded condition even when caused by the failure of a non-covered part.
17. Failure caused by ruptured or damaged rubber boots.
18. Repair or replacement of a covered component/part to correct conditions that may reasonably be assumed to have existed at the inception date of the coverage provided by this contract.
19. Malfunctions resulting from collisions and/or accident, vandalism, neglect, abuse, misuse, falling missiles or objects, fire, theft, larceny, explosion, lightning, earthquake, windstorm, war, hail, water, flood, environmental damage, malicious mischief, riot, civil commotion, labor difficulties, aesthetic damage including but not limited to scratches, paint deterioration, vinyl delamination, dents, nicks, normal wear and tear unless indicated on the administrator copy of the declarations page and your identification card except for parts that have not worn beyond the field tolerance permitted by Speed UTV, natural disaster, acts of nature, or force majeure.
20. Any failure occurring outside of the territory, excluding Canada.
21. The total cost of covered labor and parts in excess of the actual cash value of the vehicle/unit at the time of the repair or failure.
22. Any failure occurring prior to the contract date, pre-existing conditions, or if information provided by you or a repair facility cannot be verified as accurate or is found to be deceptively inaccurate.

WARRANTY

U.S.A. EPA EMISSIONS LIMITED WARRANTY

This Emissions Limited Warranty is in addition to the Speed UTV limited warranty for your vehicle. Speed UTV warrants that at the time it is first purchased, this emissions-certified vehicle is designed, built, and equipped so it conforms with applicable U.S. Environmental Protection Agency emission regulations. Speed UTV warrants that the vehicle is free from defects in materials and workmanship that would cause it to fail to meet these regulations.

The warranty period for off road vehicles 100cc or greater emissions-certified vehicles starts on the date of purchase by original retail purchaser and continues for a period of 500 hours of engine operation, 3100 miles (5000 km) of vehicle travel, or 30 calendar months from the date of purchase, whichever comes first. The warranty period for ATVs less than 100cc emissions-certified vehicles starts on the date of purchase by original retail purchaser and continues for a period of 250 hours of engine operation, 1550 miles (2500 km) of vehicle travel, or 30 calendar months from the date of purchase, whichever comes first. This EPA emissions warranty period is extended for at least as long as the standard factory warranty that Speed UTV provides on the vehicle as a whole. The EPA emissions warranty period does not further extend if you purchase additional warranty coverage in the form of a service contract or other paid warranty extension, but emission-related parts may be covered subject to the terms of any such paid service contract or paid warranty extension.

This Emissions Limited Warranty covers components whose failure increases the vehicle's regulated emissions, and it covers components of systems whose only purpose is to control emissions. Repairing or replacing other components not covered by this warranty is the responsibility of the vehicle owner. This Emissions Limited Warranty does not cover components whose failure does not increase the vehicle's regulated emissions.

For exhaust emissions, emission-related components include any engine parts related to the following systems:

- Air-induction system
- Fuel System
- Ignition system
- Exhaust gas recirculation systems

The following parts are also considered emission-related components for exhaust emissions:

- After treatment devices
- Crankcase ventilation valves
- Sensors
- Electronic control units

WARRANTY

The following parts are considered emission-related components for evaporative emissions:

- Fuel Tank
- Fuel Cap
- Fuel Line
- Fuel Line Fittings
- Clamps*
- Pressure Relief Valves*
- Control Valves*
- Control Solenoids*
- Electronic Controls
- Vacuum Control Diaphragms*
- Control Cables*
- Control Linkages*
- Purge Valves
- Vapor Hoses
- Liquid/Vapor Separator
- Carbon Canister
- Canister Mounting Brackets
- Carburetor Purge Port Connector

**As related to the evaporative emission control system.*

Emission-related components also include any other part whose only purpose is to reduce emissions or whose failure will increase emissions without significantly degrading engine/equipment performance. The exclusive remedy for breach of this limited warranty shall be, at the exclusive option of SPEED, repair or replacement of any defective materials, components, or products.

THE REMEDIES SET FORTH IN THIS LIMITED WARRANTY ARE THE ONLY REMEDIES AVAILABLE TO ANY PERSON FOR BREACH OF THIS WARRANTY. SPEED SHALL HAVE NO LIABILITY TO ANY PERSON FOR INCIDENTAL, CONSEQUENTIAL OR SPECIAL DAMAGES OF ANY DESCRIPTION, WHETHER ARISING OUT OF EXPRESS OR IMPLIED WARRANTY OR ANY OTHER CONTRACT, NEGLIGENCE OR OTHER TORT OR OTHERWISE. THIS EXCLUSION OF CONSEQUENTIAL, INCIDENTAL, AND SPECIAL DAMAGES IS INDEPENDENT FROM AND SHALL SURVIVE ANY FINDING THAT THE EXCLUSIVE REMEDY FAILED OF ITS ESSENTIAL PURPOSE.

ALL IMPLIED WARRANTIES (INCLUDING BUT NOT LIMITED TO ANY IMPLIED WARRANTIES OF MERCHANTABILITY AND FITNESS FOR A PARTICULAR PURPOSE) ARE LIMITED IN DURATION TO THE WARRANTY PERIOD DESCRIBED HEREIN. SPEED DISCLAIMS ALL EXPRESS WARRANTIES NOT STATED IN THIS WARRANTY.

Some states do not allow limitations on how long an implied warranty lasts, so the above limitation may not apply if it is inconsistent with the controlling state law. This limited warranty excludes failures not caused by a defect in material or workmanship. This limited warranty does not cover damage due to accidents, abuse or improper handling, maintenance, or use. This limited warranty also does not cover any engine that has been structurally altered, or when the vehicle has been used in racing competitions. This limited warranty also does not cover physical damage, corrosion or defects caused by fire, explosions, or other similar causes beyond the control of Speed UTV.

WARRANTY

Owners are responsible for performing the scheduled maintenance identified in the owner's manual. Speed UTV may deny warranty claims for failures that have been caused by the owner's or operator's improper maintenance or use, by accidents for which Speed UTV has no responsibility, or by acts of God.

Any qualified repair shop or person may maintain, replace, or repair the emission control devices or systems on your vehicle. An authorized Speed UTV dealer can perform any service that may be necessary for your vehicle.

Speed UTV also recommends Speed UTV parts, however equivalent parts may be used for such service. It is a potential violation of the Clean Air Act if a part supplied by an aftermarket parts manufacturer reduces the effectiveness of the vehicle's emission controls. Tampering with emission controls is prohibited by federal law.

WARRANTY

CALIFORNIA RESIDENTS

Certain Speed UTV off-road vehicles are available in 49-state and 50-state versions. Only the 50-state models are certified for sale in California. The 50-state models available for sale in California are identified by the letter “B” in the ninth position of the model number (e.g., R16RTE87B). The Speed UTV 50-state models are designed and built with features such as a reduced cargo box capacity. Any modifications to these features may be a violation of the applicable California regulations and may void this limited emissions warranty offered by the manufacturer.

The California evaporative emissions control system limited warranty statement below applies to your Off Highway Recreational Vehicle in California if the vehicle is equipped with an evaporative emission control system and is labeled with a Vehicle Evaporative Emissions Control Information label indicating that the vehicle conforms to California evaporative emissions regulations applicable to new off-road sport vehicles, all-terrain vehicles, or off-road utility vehicles.

These vehicles are referred to as “OHRV-EVAP” below.

CALIFORNIA EMISSION CONTROL WARRANTY STATEMENT YOUR WARRANTY RIGHTS AND OBLIGATIONS

The California Air Resources Board and Speed Industries Inc. are pleased to explain the emission control system warranty on your model year 2018 and newer Off Highway Recreational Vehicle. In California, new off-highway recreational vehicles must be designed, built, and equipped to meet the State's stringent anti-smog standards. Speed must warrant the emission control system on your OHRV-EVAP for the periods of time listed below provided there has been no abuse, neglect, or improper maintenance of your OHRV-EVAP.

Your emission control system may include parts such as the carburetor or fuel injection system, fuel tank, fuel hoses, carbon canister, engine computer and Evaporative Emissions Control System parts listed in the U.S.A. EPA Emissions Limited Warranty. Also included may be hoses, belts, connectors, and other emission-related assemblies. Where a warrantable condition exists, Speed will repair your OHRV-EVAP at no cost to you including diagnosis, parts, and labor.

MANUFACTURER’S WARRANTY COVERAGE:

For model year 2018 and newer OHRV-EVAP models.

For 30 months, or 2500 miles (4023 km), or 250 hours, whichever comes first, except for evaporative components over the OHRV high-priced warranty value, which is covered for 60 months, or 5000 miles (8047 km), or 500 hours, whichever comes first.

If any emission-related part on your OHRV-EVAP is defective, the part will be repaired or replaced by Speed.

WARRANTY

OWNER'S WARRANTY RESPONSIBILITIES:

As the OHRV-EVAP owner, you are responsible for the performance of the required maintenance listed in your owner's manual. Speed UTV recommends that you retain all receipts covering maintenance on your OHRV-EVAP, but Speed UTV cannot deny warranty solely for the lack of receipts or for your failure to ensure the performance of a scheduled maintenance.

As the owner you are responsible for presenting your OHRV-EVAP to a Speed dealer as soon as a problem exists. The warranty repairs should be completed in a reasonable amount of time, not to exceed 30 days.

As an OHRV-EVAP owner, you should also be aware that Speed may deny you warranty coverage if your OHRV-EVAP or a part has failed due to abuse, neglect, improper maintenance, or unapproved modifications.

ADD-ON OR MODIFIED PARTS

An add-on or modified part must be compliant with applicable CARB emission control standards. A violation of this requirement is punishable by civil and/or criminal punishment.

If you have any questions regarding your warranty rights and responsibilities, you should contact Speed Customer Assistance at 1-800-SPEED (1-800-765-2747) or the California Air Resources Board at 9528 Telstar Avenue, El Monte, CA 91731.

WARRANTY

SPEED UTV, LLC Emission Control System Warranty Statement YOUR WARRANTY RIGHTS AND OBLIGATIONS

Speed UTV LLC, (hereinafter “Speed UTV”) is pleased to explain the exhaust emission control system warranty on your Speed UTV brand off-road recreational vehicle. New off-road recreational vehicles must be designed, built, and equipped to meet U.S. EPA standards. Speed UTV must warrant the emission control system on your vehicle for 30 months or 5,000 km, whichever comes first, provided that there has been no abuse, neglect, or improper maintenance of your vehicle. The warranty period begins on the date the vehicle is delivered to an ultimate purchaser or first placed into service.

Your emission control system may include parts such as the carburetor or fuel injection system, fuel tank, fuel cap, the ignition system, catalytic converter, and engine computer, if so equipped. Also included may be hoses, belts, connectors, and other emission-related assemblies.

Where a warrantable condition exists, Speed UTV will repair your vehicle at no cost to you, including diagnosis, parts, and labor.

OWNER’S WARRANTY RESPONSIBILITIES

As the vehicle owner, you are responsible for the performance of the required maintenance listed in your owner’s manual. Speed UTV recommends that you retain all receipts covering maintenance on your vehicle, but Speed UTV cannot deny warranty solely for the lack of receipts or for your failure to ensure the performance of all scheduled maintenance.

You are responsible for presenting your vehicle to a Speed UTV dealer or service center as soon as a problem exists. The warranty repairs should be completed in a reasonable amount of time, not to exceed 30 days.

As the vehicle owner, you should be aware that Speed UTV may deny your warranty coverage if your vehicle or a part has failed due to abuse, neglect, improper maintenance, or unapproved modifications.

If you have any questions regarding your warranty rights and responsibilities, please contact Speed UTV by phone on 1-877-773-3301, online at www.speedutv.com, or email info@speedutv.com.

WARRANTY

GENERAL EMISSIONS WARRANTY COVERAGE

Speed UTV warrants that each new Speed UTV brand off-road recreational vehicle is designed, built, and equipped so as to conform at the time of initial retail purchase with all applicable regulations of the United States Environmental Protection Agency; and free from defects in material and workmanship which cause such vehicle to fail to conform to applicable regulations of the United States Environmental Protection Agency for the periods specified above.

- I. Warranty defects shall be remedied during customary business hours at any Authorized Speed UTV dealer or service center located within the United States of America in compliance with the Clean Air Act and applicable regulations of the United States Environmental Protection Agency. Any part or parts replaced under this warranty shall become the property of Speed UTV.
- II. Limitations. This Emission Control System Warranty shall not cover any of the following:
 - a. Repair or replacement as a result of accident, misuse, repairs improperly performed or replacements improperly installed, use of replacement parts or accessories not conforming to the specifications set forth by Speed UTV, and which adversely affect performance, or use of the vehicle in competitive racing or related events.
 - b. Inspections, replacement of parts and other services and adjustments required for required maintenance.
 - c. Any vehicle equipped with an odometer or hour meter on which the odometer mileage or hour meter reading has been changed so that actual mileage cannot be readily determined.
 - d. The use of any non-exempt add-on or modified parts by the ultimate purchaser will be grounds for disallowing a warranty claim. Speed UTV will not be liable to warrant failures of warranted parts caused by the use of a non-exempted add-on or modified part.
- III. Limited Liability
 - a. The liability of Speed UTV under this Emission Control System Warranty is limited solely to the remedying of defects in material or workmanship by an authorized Speed UTV dealer or service center at its place of business during customary business hours. This warranty does not cover inconvenience or loss of use of the vehicle or transportation of the vehicle to or from the Speed UTV dealer or service center. Speed UTV shall not be liable for any other expenses, loss or damage, whether direct, incidental, consequential or exemplary arising in connection with the sale or use of or inability to use the Speed UTV brand vehicle for any purpose. Some states do not allow the exclusion or limitation of any incidental or consequential damages, so the above limitations may not apply to you.
 - b. No express emission control system warranty is given by Speed UTV

WARRANTY

except as specifically set forth herein. Any emission related components warranty implied by law, including any warranty of merchantability or fitness for a particular purpose, is limited to the express emission control system warranty terms stated in this warranty. The foregoing statements of `warranty are exclusive and in lieu of all other remedies. Some states do not allow limitations on how long an implied warranty lasts, so the above limitations may not apply to you.

- c. No dealer is authorized to modify this Limited Emission Control System Warranty.
- IV. Legal Rights. This warranty gives you specific legal rights, and you may also have other rights which vary from state to state.
- V. This warranty is in addition to the Speed UTV limited vehicle warranty.
- VI. ADDITIONAL INFORMATION. Any replacement part that is equivalent in performance and durability may be used in the performance of any maintenance or repairs. However, Speed UTV is not liable for these parts. The owner is responsible for the performance of all required maintenance. Such maintenance may be performed at a service establishment or by any individual.

WARRANTY

END OF OWNER'S MANUAL